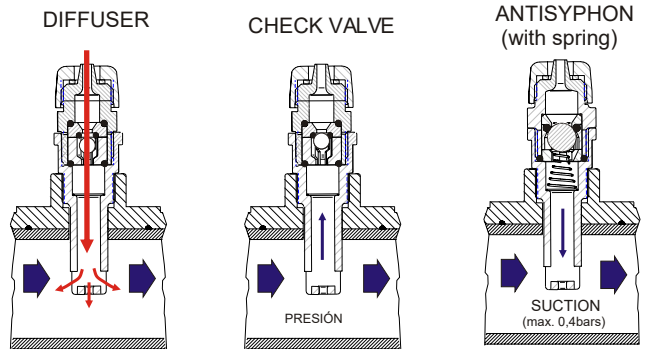
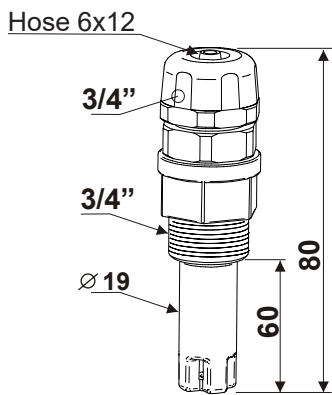
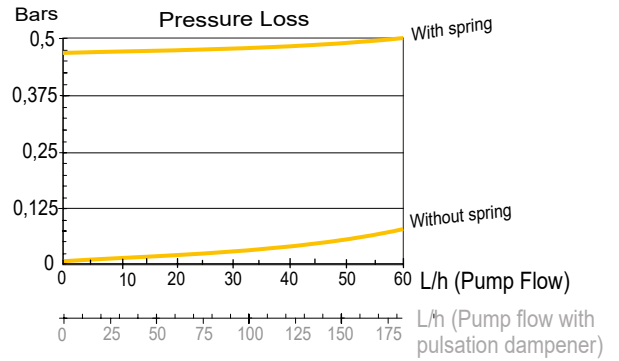


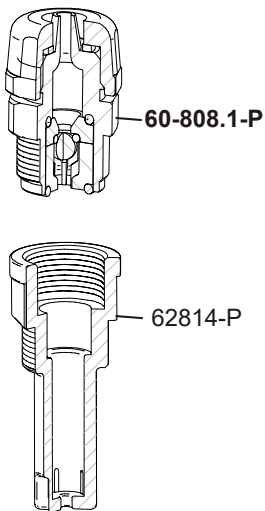
TECHNICAL FEATURES

Max. flow:	60 l/h
Connection thread:	3/4"
Hose connection:	Diameter 6x12

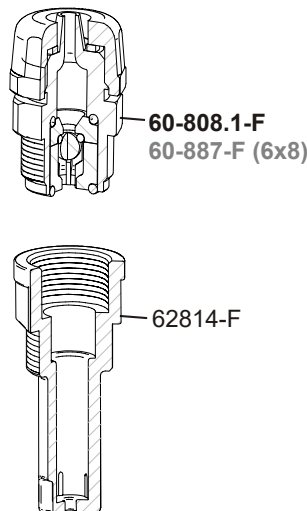


INJECTION VALVE 6x12

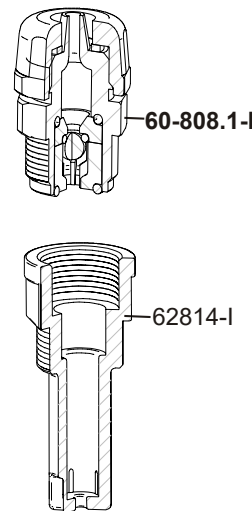
Polypropylene
18-822-P



PVDF
18-822-F
18-821-F (6x8)



SS 316
18-822-I



Polypropylene with spring
18-823-P (Spring SS316)
18-824-P (Spring HALAR®)

