

MATERIALS CODE FORMULATION

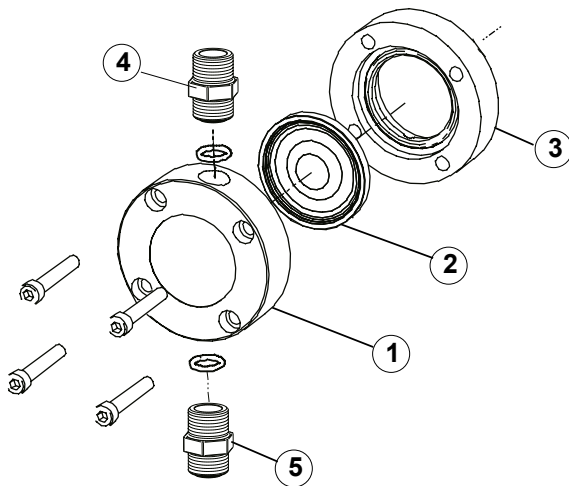
60 - A D 4 3 - D69 P P M

MATERIAL HEAD			
	① Cylinder	② Diaphragm	③ Base
P	PP	PTFE	PP
I	AISI316	PTFE	AISI316
F	PVDF	PTFE	PVDF
T	PTFE	PTFE	PTFE

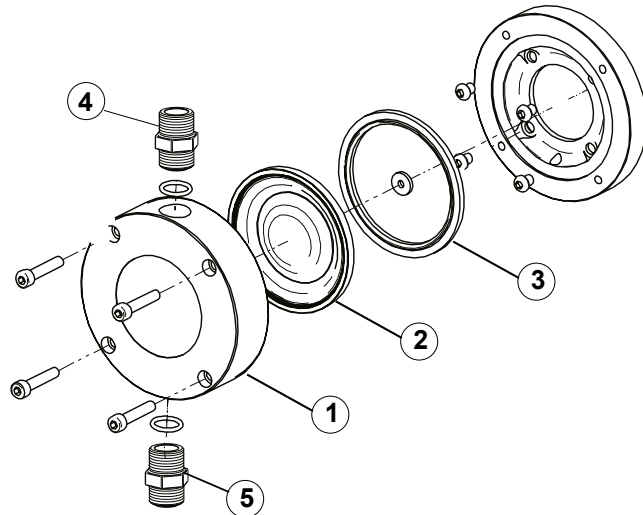
MATERIAL VALVE			
	Body	Ball	O-ring
P	PP	Glass	FPM
B	PP	Borosilicate	FPM
I	AISI316	AISI316	FPM
F	PVDF	Borosilicate	FPM
T	PTFE	Borosilicate	FPM

PARTS

..D69..



.. D95 / D115 ..



DESCRIPTION	Code
1-Cylinder	67105.2-P/F 67105.1-I
2- Diaphragm	67100
3- Base	67104.2-P/F 67104-I
4- Injection valve	60-859-P (6x12)
	62-857-P (3/4)
	60-809.1-F/I (6x12)
	62-861-F(3/4) 63-804-I(3/4)
5- Suction valve	60-858-P (6x12)
	62-856-P (3/4)
	60-808.1-F/I(6x12)
	62-860-F (3/4) 63-803-I (3/4)

DESCRIPTION	Code
1-Cylinder	67115-P/F/I (D95)
	67119-P/F/I (D115)
2- Diaphragm	67114 (D95)
	67118 (D115)
3- Base	67116 (D95)
	67123 (D115)
4- Injection valve	62-857-P
	62-861-F
	63-804-I
5- Suction valve	62-856-P
	62-860-F
	63-803-I