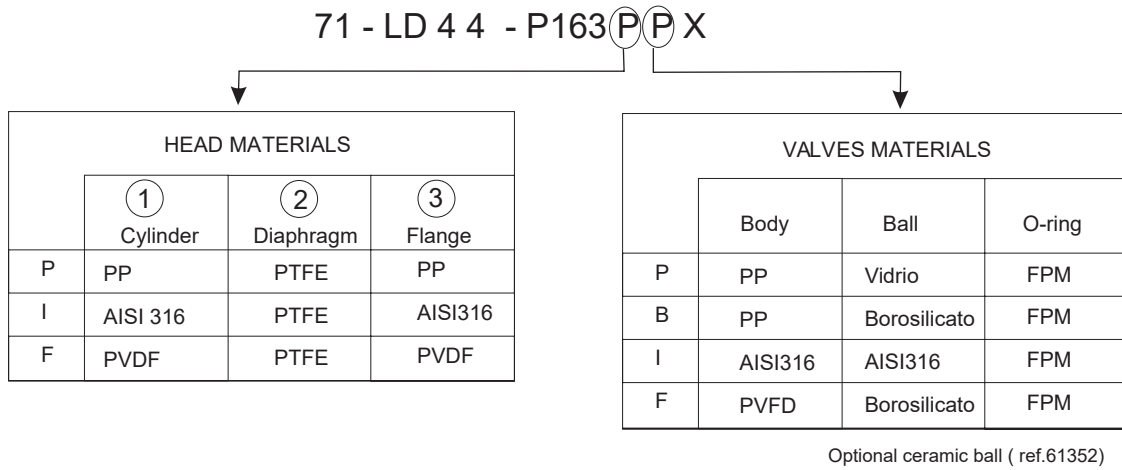


### MATERIALS CODE FORMULATION



### LIST OF PARTS

