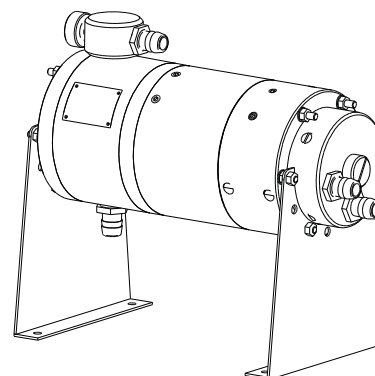
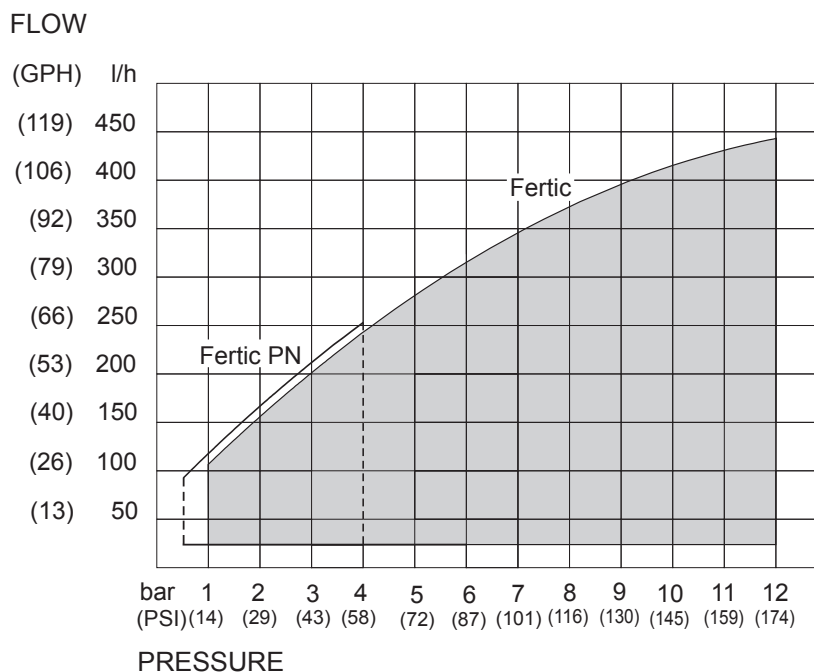


TECHNICAL FEATURES

Injection flow Working pressure Water consumption Materials in contact with fertilizer	0-500 L/H (según curva) 1 - 12 bar (14 - 174 psi) twice the injection of fertilizer PP -FPM (Resistant to agrochemical product)
---	---



FLOW - PRESSURE GRAPH



DIMENSIONS

