



Radio Module WaterController 3000

INDEX

RADIO MODULE WATER CONTROLLER 3000

1.- GENERAL DESCRIPTION	
1.1 Equipment description	4
1.2 Console description	5
2.- INSTALLATION	
2.1 Installation of the radio module of a Water Controller 3000	6
2.2 Electrical diagram	7
3.- CONFIGURATION	
3.1 Setup	8
4.- TECHNICAL FEATURES	9
Warranty	10

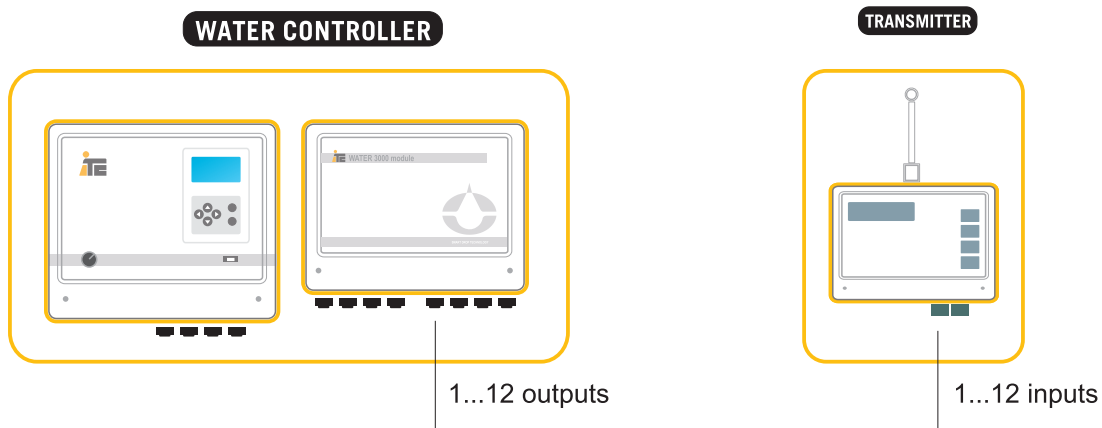
1. GENERAL DESCRIPTION

RADIO MODULE WATER CONTROLLER 3000

1 GENERAL DESCRIPTION

The radio module reach long distances without cables for up to 12 outputs of the Water Controller 3000. The module is connected to the 24Vac outputs of the irrigation controller, using a radio signal activates the receivers. Receivers can activate latch solenoids or latch relays for water pumps.

1.1 EQUIPMENT DESCRIPTION

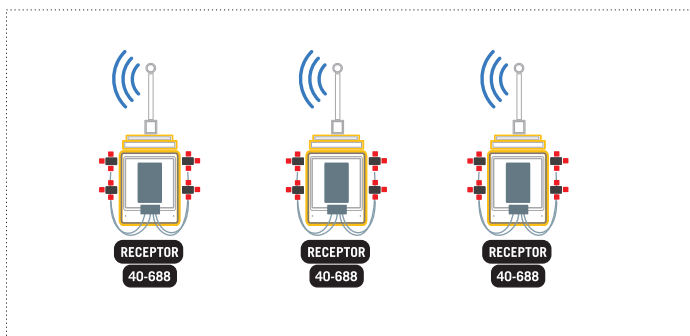


WATER CONTROLLER 3000, irrigation controller with activation outputs for 24Vac valves.

Transmitter of the radio module, detects the activation of the outputs of the irrigation controller, it sends a radio signal to the receiver of the radio module.

Receiver of the radio module, receives the orders to activate/deactivate its outputs.

RECEIVERS OF THE RADIO MODULE OF THE WATER CONTROLLER 3000

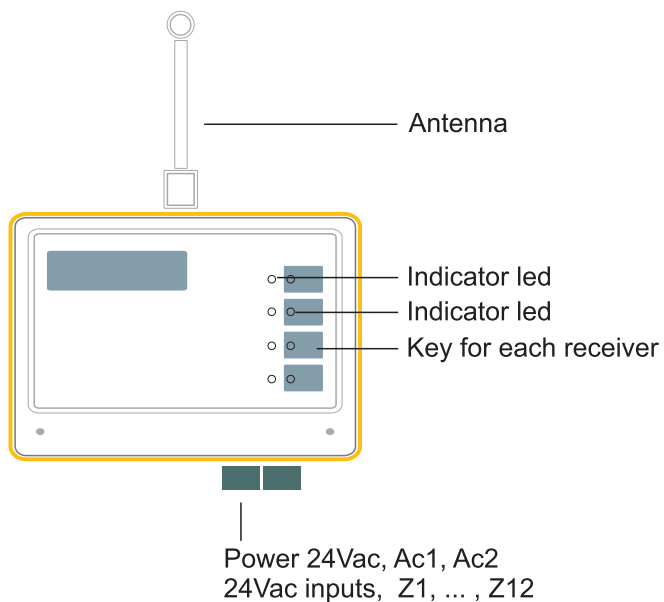


1. GENERAL DESCRIPTION

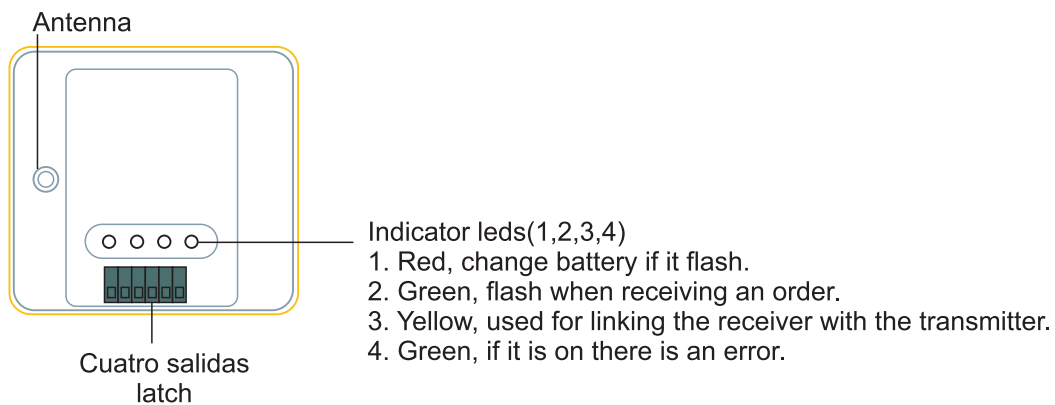
RADIO MODULE WATER CONTROLLER 3000

1.2 CONSOLE DESCRIPTION

Transmitter



Receiver

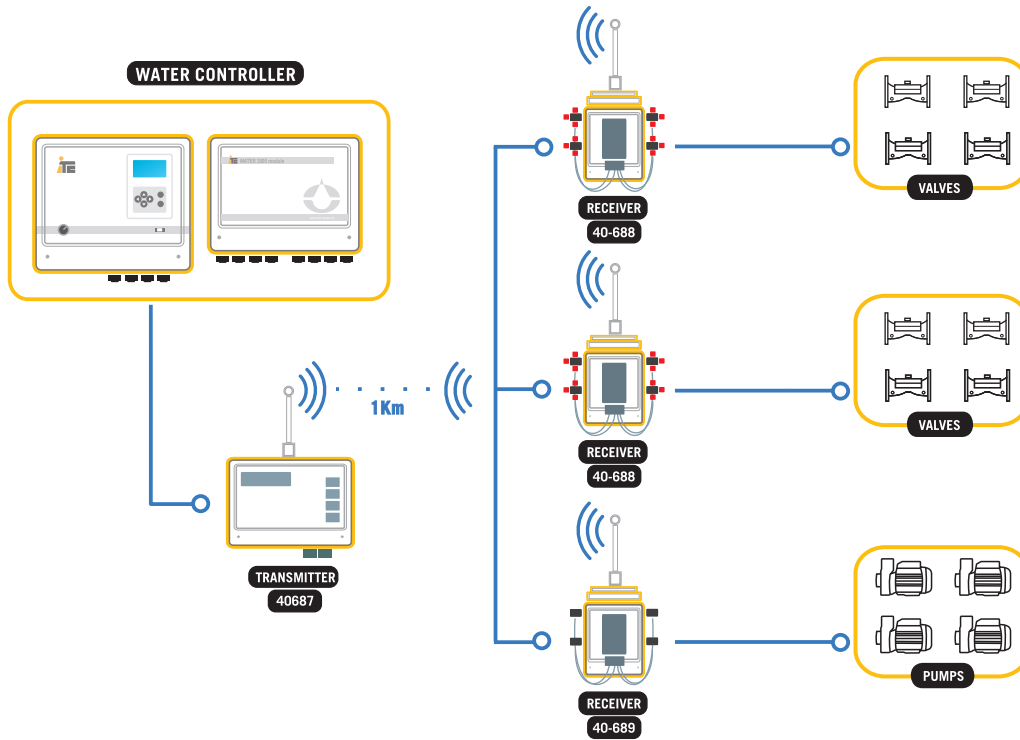


2. INSTALLATION

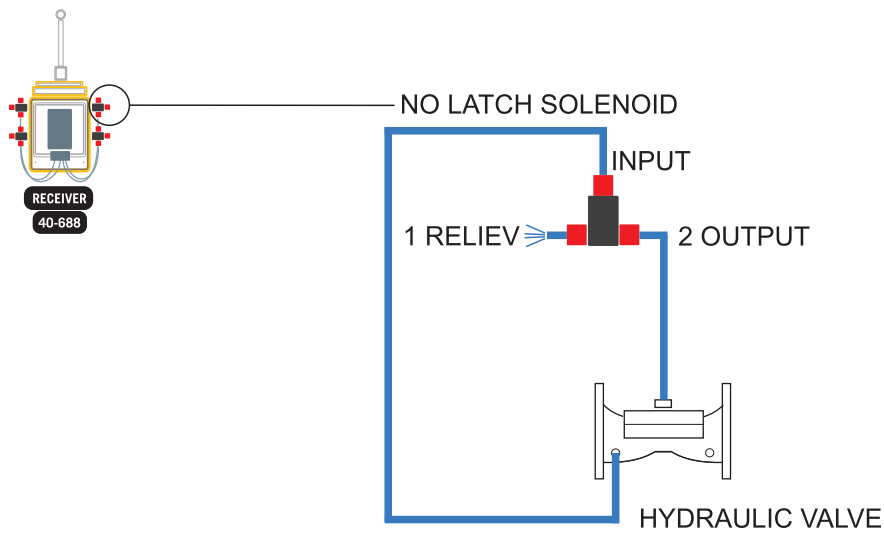
RADIO MODULE WATER CONTROLLER 3000

2 INSTALLATION

2.1 INSTALLATION OF THE RADIO MODULE OF A WATER CONTROLLER 3000



NC ELECTROVALVE

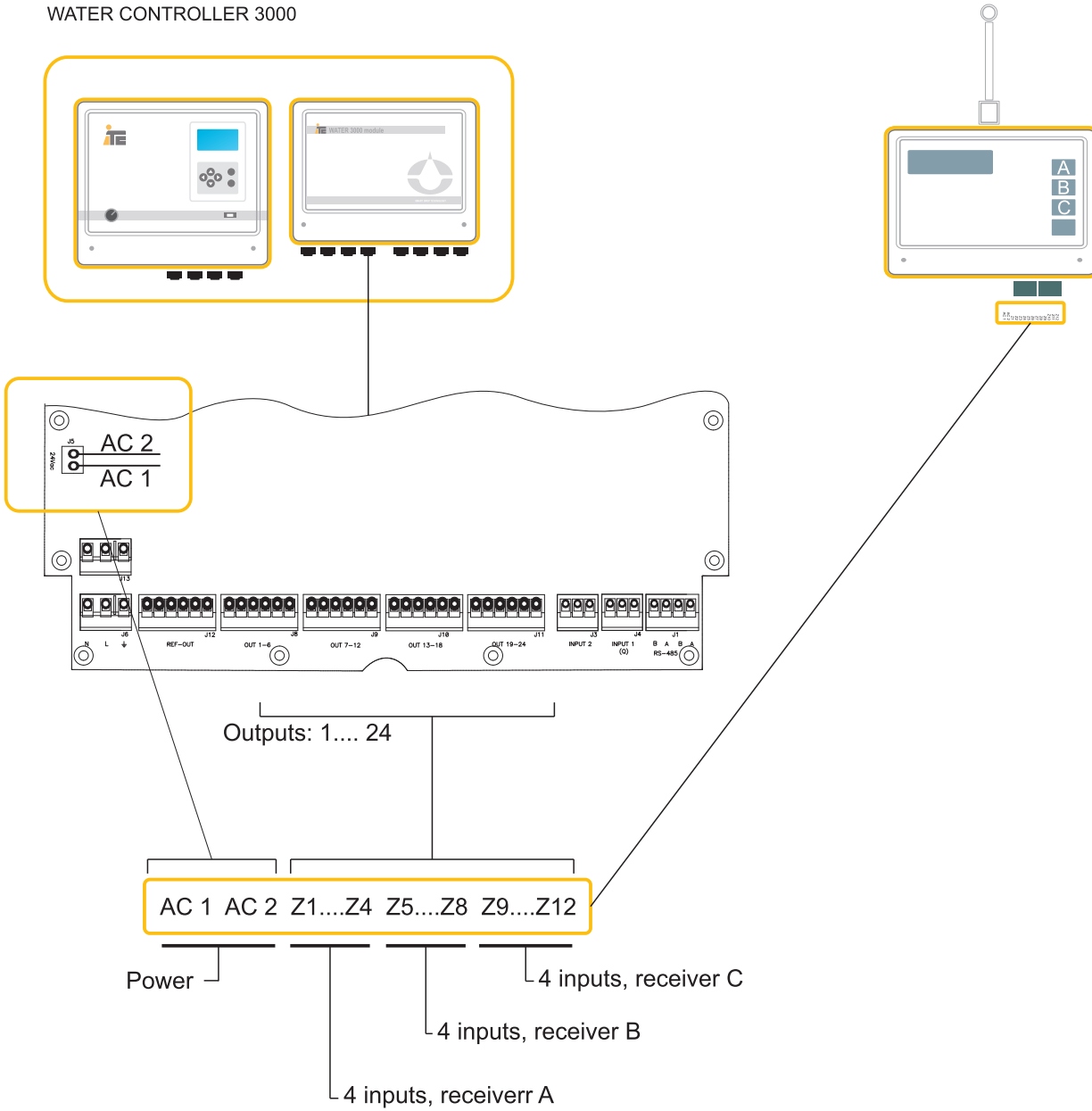


2. INSTALLATION

RADIO MODULE WATER CONTROLLER 3000

2.2 ELECTRICAL DIAGRAM

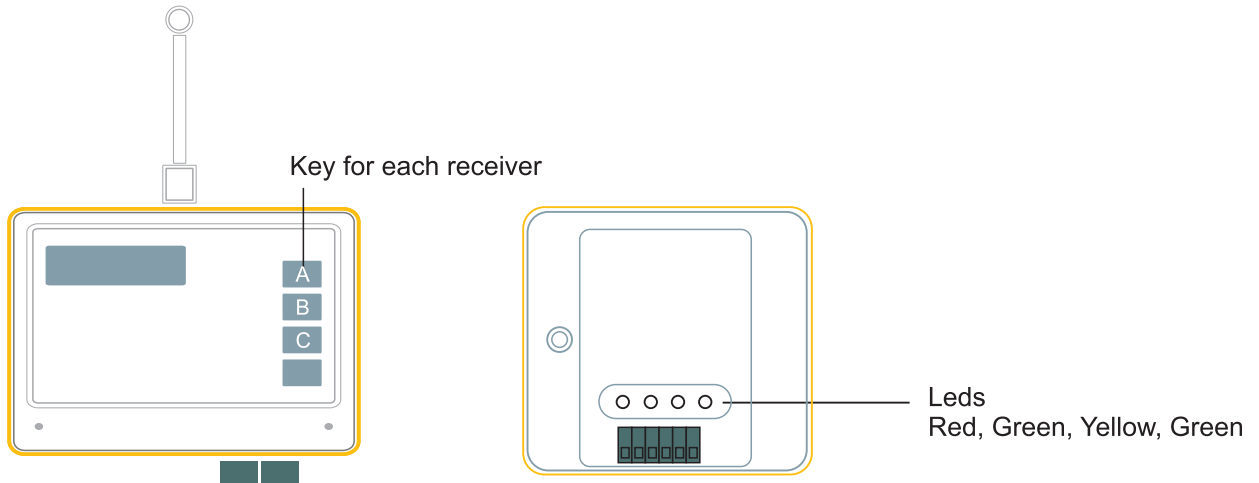
WATER CONTROLLER 3000



3. SETUP

RADIO MODULE WATER CONTROLLER 3000

3.1 SETUP



There are four leds in the receiver.

1. Red, when flashes change battery.
2. Green, flash when receives an order.
3. Yellow, used in the procedure to recognize the transmitter.
4. Green, if it is on more than ten seconds there is an error.

Recognice of the receiver with the transmitter.

- 1.- Disconnect the battery of the receiver.
- 2.- Connect the battery.
- 3.- Two leds will be on (green and yellow).
- 4.- Wait the green led to switch off.
- 5.- When the yellow led is the only on, press the key of the transmitter to assign a position (A, B, or C)
- 6.- Yellow led will switch off
- 7.- The receiver is recognized by the transmitter.

Note: It is not necessary to repeat this procedure when changing the battery of the receiver.

Coverage detection.

Press A+P at the same time to enter in test coverage detection mode

The green led will flash when receivin the signal.

Depending on the flahes it shows the reception quality of the signal. Flashes can go between 8 (very good reception) and 1(very bad reception). It is not recomended to use the system with less than 5 flashes.

There are two transmitters in the same installation.

Press at the same time A & B of the first transmitter. This causes a delay when transmitting the first transmitter, and the second transmitter can communicate without interferences.

To take out this configuration press B & C.

4. TECHNICAL FEATURES

RADIO MODULE WATER CONTROLLER 3000

4. TECHNICAL FEATURES

Radiofrequency transmitter:

Power: 24Vac($\pm 10\%$), from the irrigation controller

Maximum current: 0.3A

Average current: 20mA

Protection IP41

Working temperature: -10 to 70°C

Relative humidity: 0-95% without condensation

Frequency: 315MHz or 433.92 MHz $\pm 20\text{kHz}$

Range (direct vision) $\pm 1\text{km}$ with standard antenna

Inputs

Tension: 24Vac $\pm 2\text{V}$

Number of inputs: 12

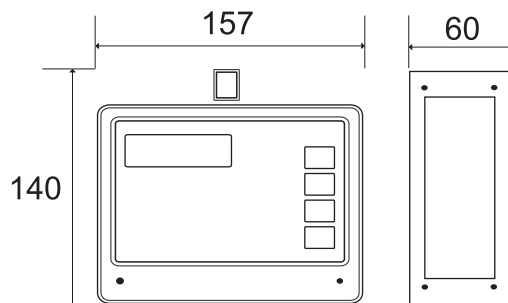
Receptor:

Power: Battery 3.6Vdc 19Ah size D-type

Protection: IP53

Temperature: -10 to 70°C

DIMENSIONS



ACCESORIES

40692 Antenna Dipole with 5m cable

40-691 3.6Vdc battery with connector

40690 Signal repeater



WARRANTY

ITC warrants the Product specified in this Document for 1 year period from the Purchase Date, against any manufacture or material Defect, and as long as the Installation, Use and Maintenance have been correct.

The Equipment must be sent, all inclusive charge, to our workshop or to the authorized ITC Technical Service, and its Return will be executed carriage forward.

The Equipment must be accompanied by the Warranty Document with the Purchase Date and the stamp of the Seller's Establishment, or a copy of the Account of goods purchased.

MODEL

SERIAL NUMBER

Purchase Date and Stamp of the Seller's Establishment

DATE: _____

Original manual

Ed:03/07/19-EN



C/ Vallès, 26 Pol. Ind. Can Bernades - Subirà
P.O. Box 60
08130 Santa Perpètua de Mogoda
BARCELONA

Tel. 93 544 30 40
e-mail: itc@itc.es

Fax 93 544 31 61
www.itc-dosing-pumps.com