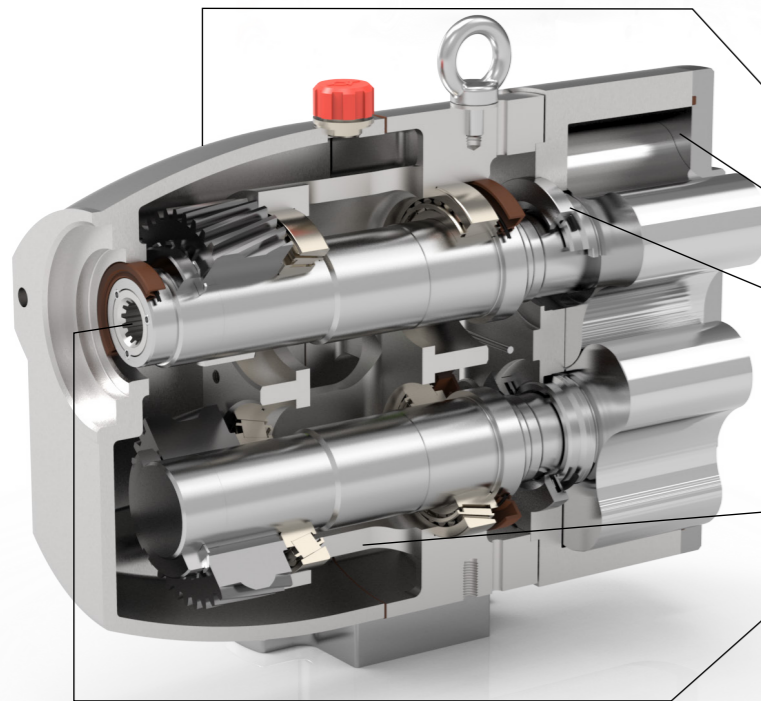
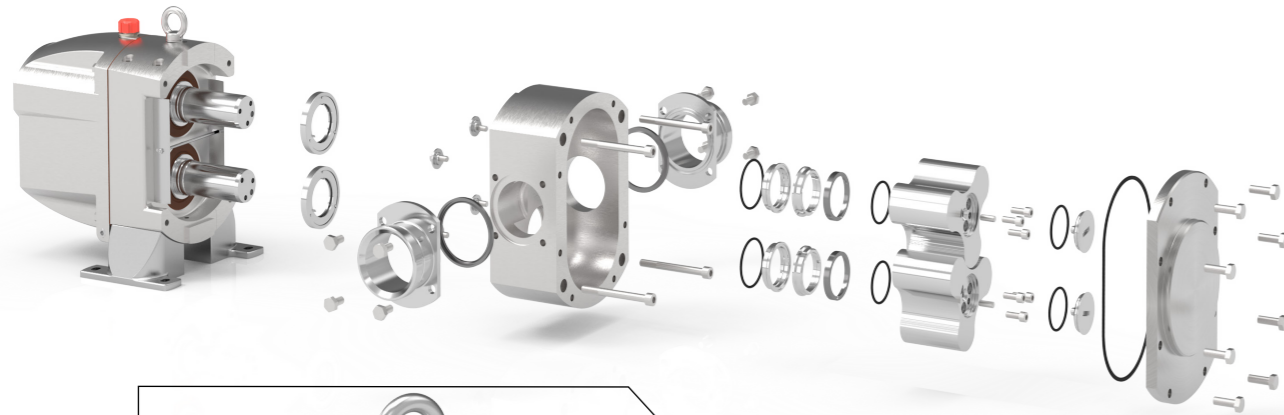


# Pump series LT



## Characteristics

The LT series are hygienic truck loading/unloading pumps. All product-wetted parts are made from 1.4404/316L stainless steel, to match highest hygienic standards. The use of compact, direct-coupled hydraulic motors enables space-saving and flexible installation.



### LT

- 1 Epoxy coated lightweight aluminum gearbox and gearbox cover.
- 2 Smaller clearances result in less slip which results in better efficiency when pumping low viscous fluids.
- 3 Design and position of the seals, brings the CIP-fluid in direct contact with them.
- 4 Wetted seal parts can be replaced without disassembling the rotor case: pump does not need to be mounted out of the installation to change seals.
- 5 Food grade oil-filled gearbox increases bearing lifetime and requires minimal service effort.
- 6 Hollow shaft design allows space saving direct coupled hydraulic motor installation.

## Your benefits

### Cleaner

- Certified to EC1935/2004, and 3A versions available
- Wetted surfaces with Ra < 0.8 μm
- Wetted parts in SS316L/ 1.4404

### Improved CIP performance

- Optimized design to eliminate dead-spaces, O-ring grooves without dead corners.
- Wetted parts of mech. seal directly in the product stream.

### Shorter downtimes/higher flexibility

- Faster maintenance
- Pump can stay in piping/truck during replacing seals thanks to front loaded seals.
- No need to open gearbox for adjusting axial clearances between rotors and casing.
- Rotor change without timing

- Extended service intervals
- The oil-lubricated gearbox avoids frequent relubrication of the bearings with grease.
- This reduces maintenance and increases operational reliability.
- Universal mounting
- Pumps can be mounted with both horizontal and vertical port connections.
- Direct coupled hydraulic motors allow an operation where no electrical drives are possible.
- Short mounting dimensions also for narrow space conditions.
- Heating jackets for casing and front cover, pressure relieve valve and many more options available.

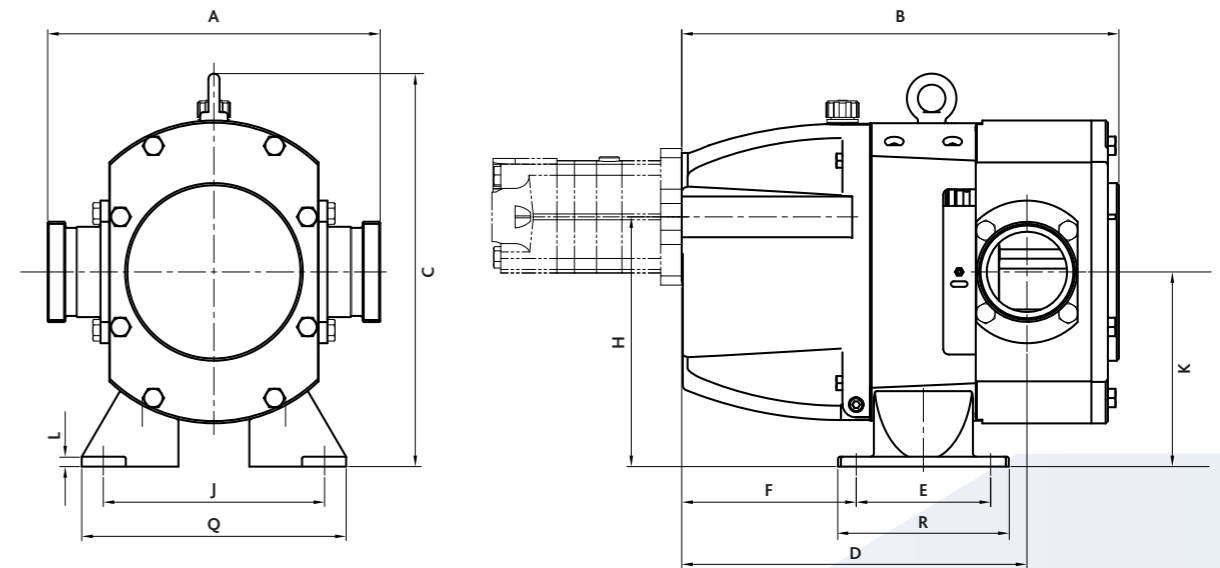
## Application areas

LT truck pumps are designed to handle low and high viscous products in bi-directional operation, they offer a very good efficiency especially with low viscosity products. A high displacement, good suction capability and good cleanability are further features of the LT series. With the direct coupled hydraulic motor the LT is best suited to be installed in small areas, or where no electric drive is possible.

## Technical specifications

Pump series	LT
<b>Performances</b>	
Max flow rate	40 m <sup>3</sup> /h
Max viscosity	1.000.000 cP
Max differential pressure	15 bar
Max temperature	140°C
<b>Technical specifications</b>	
Materials wetted parts	stainless steel 316L / 1.4404
Seal configuration	single, flushed, double mechanical seal, O-ring seal
Available material O-ring	NBR, EPDM, FKM, PTFE
Connections	sanitary and industrial fittings, rectangular inlet available
Mounting position	horizontal and vertical
Surface finish	food quality, internal surfaces polished to 0.8 μm
certificates & legislation	

Size	LT 52	LT 54	LT 62	LT 64
Displacement (l/100 revs)	26.5	45.5	64.0	95.0
Standard port size (mm)	38/40	50	65	76/80
Enlarged port size (mm)	50	76/80	76/80	100
Max. diff. press. (bar)	15	8	15	8
Max. speed (rpm)	960	960	720	720
Max. flow (l/min)	254	437	461	684



Size (mm)	A	B	C	D	E	F	H	J	K	L	M	Q	R	Kg
LT52	249	368	244	319	84	209	160	180	120	6	9	214	104	32
LT54	259	396	244	338	84	209	160	180	120	6	9	214	104	35
LT62	288	435	311	372	122	225	225	200	175	10	11	240	157	61
LT64	302	464	311	381	122	225	225	200	175	10	11	240	157	65