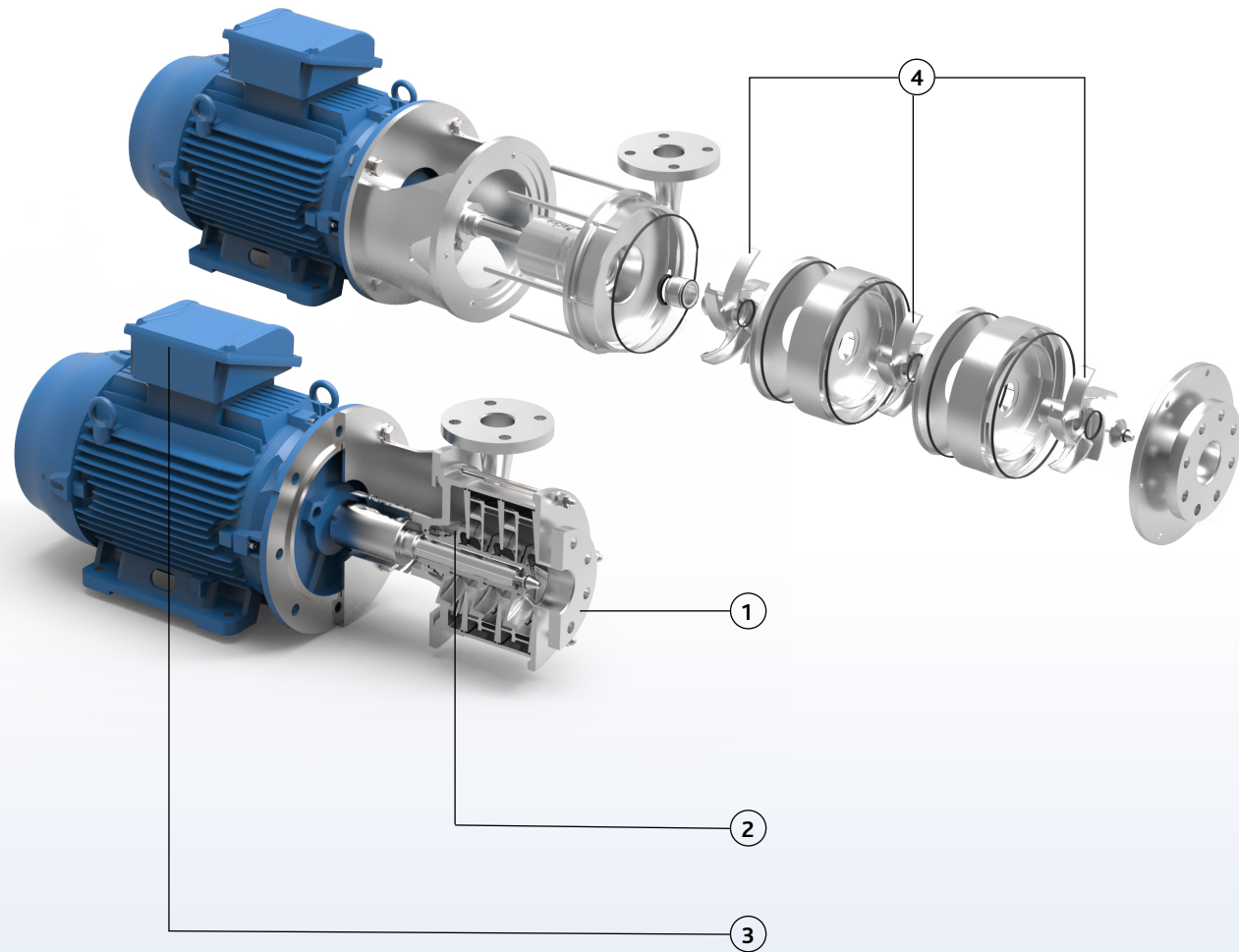


# Pump series NMS



## Characteristics

The Packo multistage pumps from the NMS series are equipped with open investment cast impellers and pump casings. They are the right match for operations at moderate flows and high pressures.



## NMS

- 1 Solid design thanks to investment cast pump casings and impellers
- 2 Large seal cavity to guarantee liquid circulation around the seal
- 3 Monobloc execution with std. IEC motors
- 4 Open impellers: no axial forces on motor bearings
- 5 Standardized mechanical seals to EN 12756  
FDA approved bellow mechanical seals or balanced O-ring seals



bellow seal

## Your benefits

- Ideal for operation at moderate flow rate and high pressures
- High pump efficiency resulting in lower energy consumption
- Low NPSH values: less risk on cavitation
- Electropolished: higher resistance against corrosion
- Easy & robust construction and easy maintenance: less downtime
- Standard components
- Easy to install
- Open impellers: longer bearing life

## Application areas

For use in food, brew, beverage, pharmaceutical and chemical industries, as transfer and mixing pump for liquid food products, drinks, medicines, lotions, etc.




Typical applications: process pump for plate heat exchangers, pasteurizer systems, filters, filling machines, mixers, deaerators, carbonators and high pressure cleaning systems.

## Pump series

### Performance

	NMS
max. flow rate	50 m <sup>3</sup> /h
max. differential head	215 m
max. inlet pressure	10 bar
max. liquid viscosity	250 cP
max. temperature	140°C
impeller type	open
max. free passage	14 mm
max. motor power	45 kW
max. speed	3000/3600 rpm
available frequency	50/60 Hz

### Technical specifications

materials wetted parts	stainless steel 316L or similar
mechanical seal configuration	single bellow, single balanced, quench, double
available O-ring materials	EPDM, FKM
connections	flanges acc. to EN1092-1/01, Tri-Clamp fittings, etc.
surface finish	industrial, internal welds not hand polished, electropolished
certificates & legislation	  

## Performance curves at 2900 rpm

### NMS

