

### Description

The Verderflex iDura 35 is a complete “ready to use” Dura 35 hose pump with pump mounted inverter and standard hose burst protection.

The iDura 35 is a compact, industrial hose pump with superior secondary containment for dosing, metering, sampling and sump emptying in chemical and industrial processing complexes, food and beverage facilities and clean and wastewater treatment plants. The pump mounted inverter provides the flexibility of local pump control or automatic monitoring and control real time via external systems. The factory connected hose burst sensor will stop the pump unit on hose burst for enhanced plant operator’s peace of mind & the inverter’s local controls reduces ownership costs by speeding up the infrequent hose changes.

### Pump Features

- Ideal for abrasive or high solid content slurries
- Self-Priming, problem free pumping of gaseous liquids
- Easily pumps viscous liquids
- Gentle low shear pumping action
- Dry running capabilities
- Long life hoses
- No seals or valves

### iDura Features

- Variable speed control, between maximum and minimum flow rates.
- Standard hose burst protection automatically stops the pump on a hose burst.
- Intuitive speed and directional controls with real-time monitoring of parameters using built-in display.
- Displays nominal flow rate <sup>1</sup>.
- Scalable 4-20mA speed control input as standard, MODBUS/CANBUS digital remote control optional <sup>2</sup>.

1 This is factory set to indicate nominal flow rate in l/hr.

2 Inverter will have to be programmed by the user to access this function, please refer to the manual.

### Technical Data

Flow Rate Range	235 - 2744 l/h
Frequency Range	5 - 53.8 Hz
Power Supply Rating	200-240V AC 50-60Hz 1 Phase 380-480V AC 50-60Hz 3 Phase
Installed Motor Power	2.2 kW
Installed Inverter Power	2.2 kW
IP Ratings	IP 66/ NEMA 4X outdoor rating (inverter) IP55 (motor)
Maximum Discharge Pressure	6 bar
Maximum Suction Lift	9.5 mwc
Hose ID	35 mm
Maximum Medium Temperature <sup>3</sup>	80°C
Maximum Incompressible Solid Size	3.5 mm
Maximum Compressible Solid Size	8.75 mm
Ambient Temperature <sup>4</sup>	-5 to +40°C

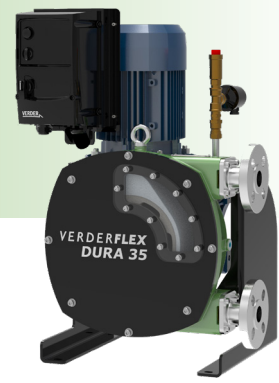
3 Continuous use with NR hose.

4 Continuous operation at the specified maximum discharge pressure, in an ambient temperature of -5 to +40°C.



# Verderflex

## iDura 35



VERDERFLEX®

### Materials

Description	Material	Paint Detail
Pump Housing	Cast Iron (GG25)	Green Powder Coated
Front Cover	Carbon Steel with Plexiglass Inspection Window	Powder Coated
Rotor	Cast Iron (GG25)	
Drive Shaft	EN24T Steel	
Port Flange	316 Stainless Steel Universal slotted design fits with DIN PN16, ANSI 150# & JIS10K Options: 316 Stainless Steel with Hose Tail Connection 304 Stainless Steel with Polypropylene or P.V.D.F Insert <sup>5</sup>	
Inverter	Chassis materials aluminium and polymer (electrical and electronic equipment)	
Hose Burst Kit	Brass	
Mounting Frame	Carbon Steel	Powder Coated
Gearbox Flange	Aluminium	
Bearing	Steel	
Shaft Seal	Viton	
Lubricant	Verderlube - Glycerine based lubricant <sup>6</sup> Verdersil - Silicone based lubricant <sup>7</sup>	
Hose	Natural Rubber (NR) Options: Nitrile Buna Rubber (NBR) Ethylene Propylene Diene Monomer (EPDM), Food Grade Nitrile Buna (NBRF) and Hypalon® (CSM)	
Weight	Complete pump including motor, gearbox and inverter: 118 kg	

<sup>5</sup> Temperature Limit for PP insert is 40°C and for PVDF insert is 80°C.

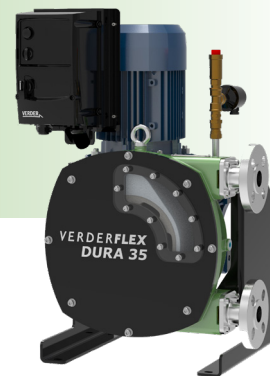
<sup>6</sup> Temperature Limit for Verderlube is 50°C.

<sup>7</sup> Suitable for application above 50°C, but subject to maximum temperature limit of the hose and applications involving strong oxidising agents and nitrogenous compounds.



# Verderflex

## iDura 35

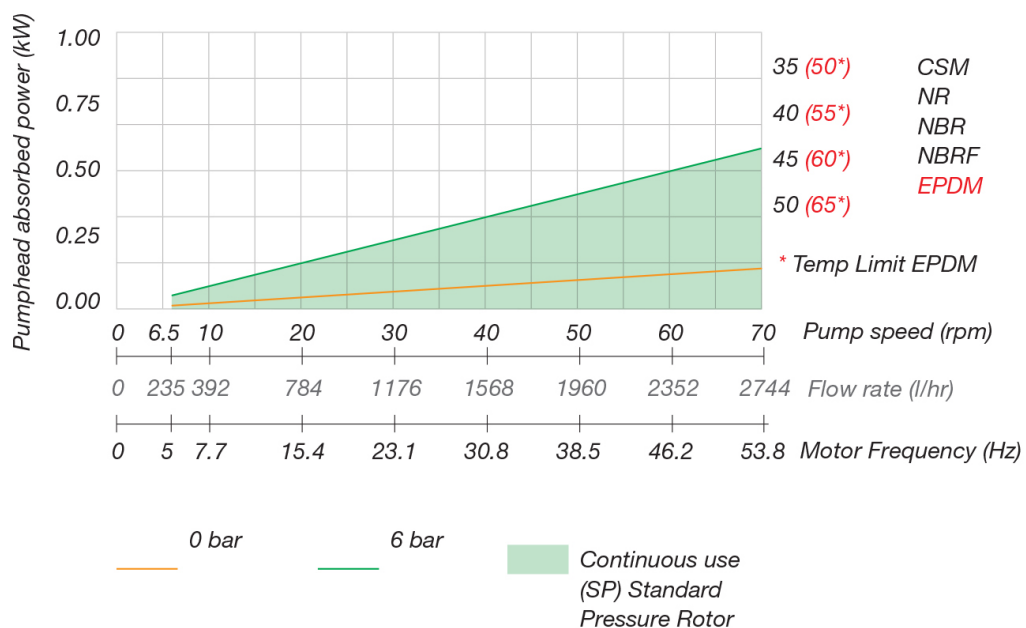


VERDERFLEX®

### Performance Range

Flow l/hr	Pump Speed RPM	Motor Frequency Hz
235	6.5	5
431	11	8.5
706	18	13.8
1098	28	21.5
1372	35	26.9
1842	47	36.2
2744	70	53.8

### Performance Curve

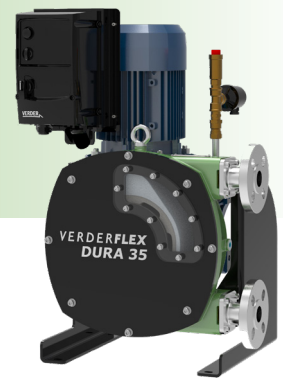


Actual flows will vary according to suction conditions, discharge pressure and normal component production tolerances.



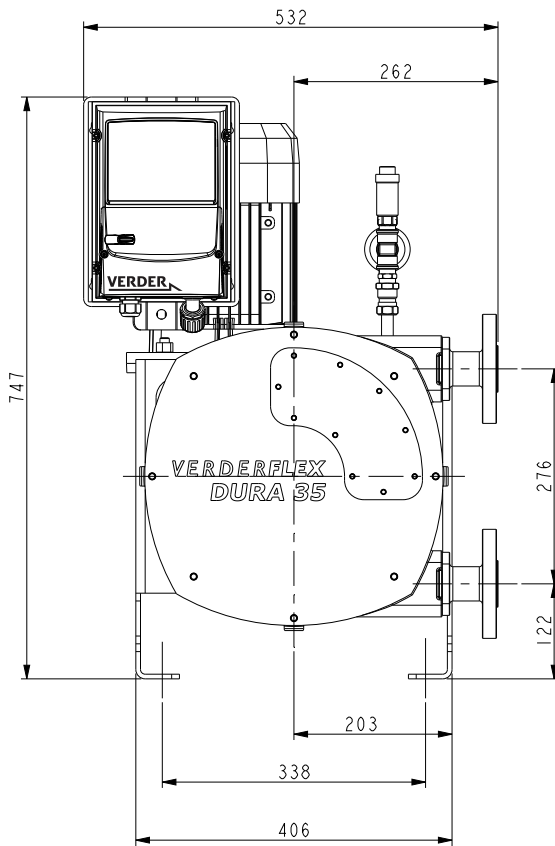
# Verderflex

## iDura 35

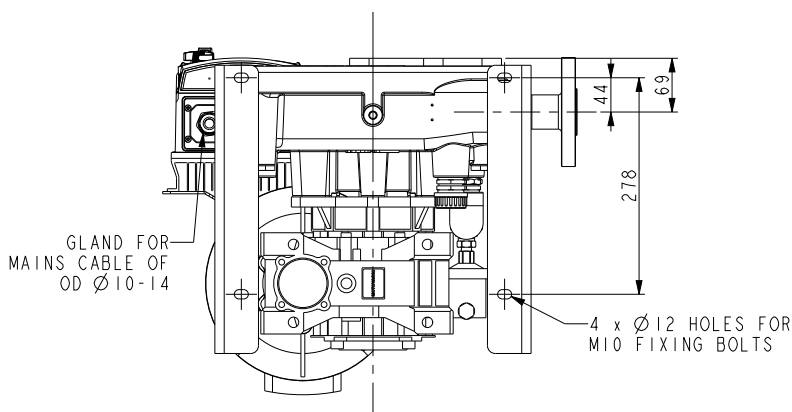
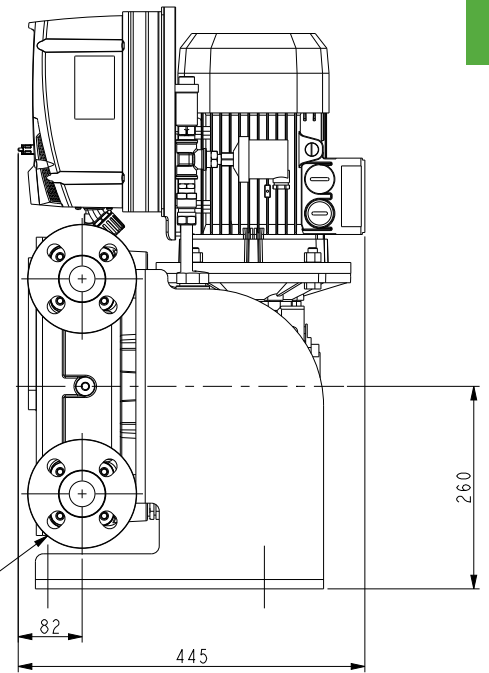


VERDERFLEX®

### Dimensions



INLET / DISCHARGE  
FLANGE OPTIONS: -  
DN32 - PN16  
1.1/4" - ANSI 1501b  
32 - JIS 10k  
PUMP CAN RUN IN  
EITHER DIRECTION



All dimensions are in mm.

All dimensions are for guidance only.

Find your local supplier at [www.verderflex.com](http://www.verderflex.com)

For construction, installation and floor mounting drawings  
please contact your local authorised Verderflex® distributor.

**VERDER**  
passion for pumps

