

OPEN AMPEROMETRIC CELL PRO-CG-CL3

Data
Sheet

DESCRIPTION

The open amperometric probes offer a stable and precise measurement. The detection is performed using a copper and platinum electrode. The cells usually are used in the main pipe of the process liquid through a by-pass.

The flow of water that passes through the housing to the outflow must be stabilized to 40 l / h to ensure the best quality of measurement.

For use with the flow trough probe holder in plexiglass PRO-HCG-CL3 that allows the use of a pH or redox electrode and a temperature one.

GENERAL SPECIFICATIONS

Rates of first polarization 4h. Ri - polarization: around 10 minutes

Working pressure max 1 bar

Response time T_{90} : 30 sec. / 2 min

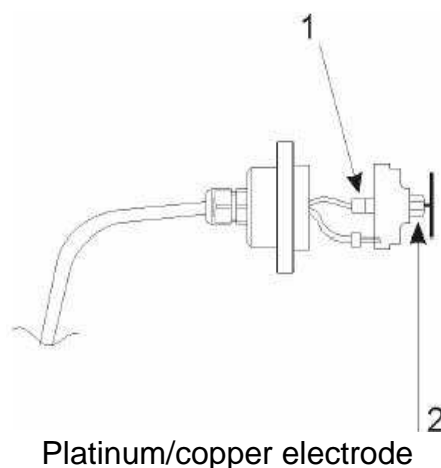
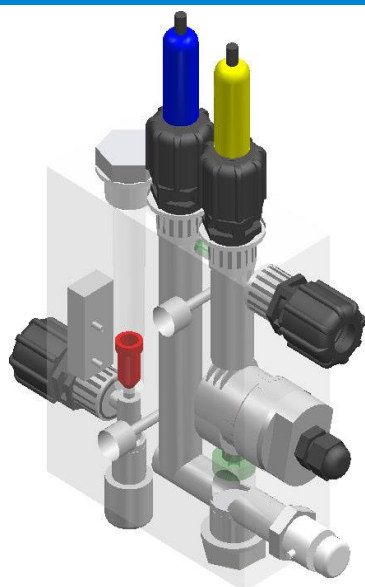
Accuracy: $\pm 2\%$ f.s.

Connection: 1/2" male fittings for 8x12 tube

Floating flow switch

Slef cleaning with pyrex balls operated by the flow of the water

SPECIFICATIONS



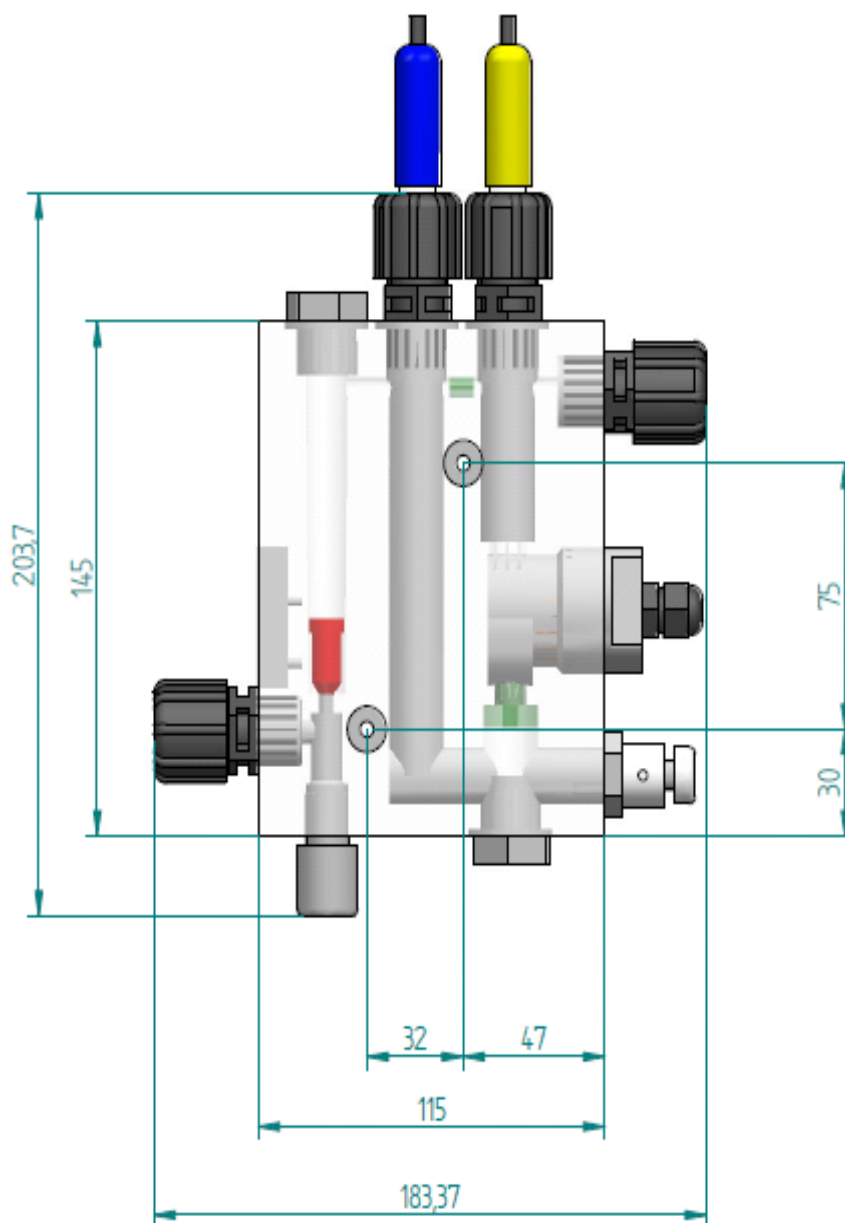
Specifications subject to change without notice

Via Maestri del Lavoro,5 - 02100 Vazia (RI) - ITALY Tel.:+ 39(0)746-229064; Fax:+ 39(0)746-221224
e-mail: info@microdos.it ; Web site: www.microdos.it

OPEN AMPEROMETRIC CELL PRO-CG-CL3

Data
Sheet

DIMENSIONS



Specifications subject to change without notice

Via Maestri del Lavoro,5 - 02100 Vazia (RI) - ITALY Tel.: + 39(0)746-229064; Fax: + 39(0)746-221224
e-mail: info@microdos.it ; Web site: www.microdos.it

CLOSED AMPEROMETRIC CELL CHLORINE

Data
Sheet

DESCRIPTION

The closed amperometric probes offer a stable and accurate measure even for very low concentrations of oxidant. They are ideal for measurements in industrial plants, water or swimming pools. The detection is made by means of two electrodes and an ion selective membrane. The cells usually are used in the main pipe of the process liquid through a by-pass. They have an almost negligible dependence on the pH value. PVC body. Temperature compensated readings intervals.

GENERAL FEATURES

First polarization time 1h. Ri- polarization: around 10 minutes

Dimensions Ø 25, length 175 mm

Suggested Flow 30 l/h

Working pressure max 1 bar

Automatic thermo-compensation via internal sensor

Response time T_{90} : 30 sec. / 2 min

Average membrane lifetime: 1 anno

Accuracy: $\pm 2\%$ f.s.

Reproducibility: $\pm 2\%$ f.s.

Type of chlorine and suggested solution

FREE CHLORIN (ACTIVE)	HOCl (hypochlorous acid)
COMBINED CHLORINE	Monocloroammine, diclo amines, tricloroammine (analisi con DPD4-DPD1)
ORGANIC FREE CHLORINE	Free chlorine with stabilizer (isocyanuric acid / isocyanurate). Analysis with DPD1. Cells recommended CP-CLO
NONORGANIC FREE CHLORINE	Free chlorine without a stabilizer. Analysis with DPD1. Cells recommended CP-CLI
TOTAL CHLORINE	Sum of free chlorine and chlorine and combined chlorine. Analysis with DPD4. Cells recommended CP-CTO

Specifications subject to change without notice

Via Maestri del Lavoro,5 - 02100 Vazia (RI) - ITALY Tel.:+ 39(0)746-229064; Fax:+ 39(0)746-221224
e-mail: info@microdos.it ; Web site: www.microdos.it

CLOSED AMPEROMETRIC CELL CHLORINE

Data
Sheet

PRO-CP-CLI/x: Closed amperometric cell for free chlorine -active-non organic measure

Measure range:		
PRO-CP-CLI-B	0 ÷ 2 mg/l (0 ÷ 2 ppm); x = 2	Accuracy ± 0,001
PRO-CP-CLI-M	0 ÷ 20 mg/l (0 ÷ 20 ppm); x = 20	Accuracy ± 0,01
PRO-CP-CLI-A	0 ÷ 200 mg/l (0 ÷ 200 ppm); x = 200	Accuracy ± 1
Analisis	DPD1	
Working PH	6 ÷ 8	
Temperature	5 ÷ 50°C	
Max Pressure	1 bar (14,5 PSI)	
Power Supply	4 wires	
Cable lenght	1,5 meters	
Probe holder	PRO-HCP	



PRO-CP-CLO-M: Closed amperometric cell for free chlorine -active-organic measure

Measure range:		
PRO-CP-CLO-M	0 ÷ 20 mg/l (0 ÷ 20 ppm);	Accuracy ± 0,01
Analisis	DPD1	
Working PH	6 ÷ 8	
Temperature	5 ÷ 50°C	
Max Pressure	1 bar (14,5 PSI)	
Power Supply	4 fili	
Cable lenght	1,5 metri	
Probe holder	PRO-HCP	



PRO-CP-CTO/x: Closed amperometric cell for total chlorine measure

Measure range:		
PRO-CP-CTO-B	0 ÷ 2 mg/l (0 ÷ 2 ppm); x = 2	Accuracy ± 0,001
PRO-CP-CTO-M	0 ÷ 20 mg/l (0 ÷ 20 ppm); x = 20	Accuracy ± 0,01
Analisis	DPD4	
Working PH	compensata	
Temperature	5 ÷ 50°C	
Max Pressure	1 bar (14,5 PSI)	
Power Supply	4 fili	
Cable lenght	1,5 metri	
Probe holder	PRO-HCP	



Specifications subject to change without notice

Via Maestri del Lavoro,5 - 02100 Vazia (RI) - ITALY Tel.:+ 39(0)746-229064; Fax:+ 39(0)746-221224
e-mail: info@microdos.it ; Web site: www.microdos.it

CLOSED AMPEROMETRIC CELL CHLORINE

Data
Sheet

PRO-CP-BC/x: Closed amperometric cell for chlorine dioxide(ClO₂) measure

Measure range:

PRO-CP-CTO-B 0 ÷ 2 mg/l (0 ÷ 2 ppm); x = 2 **Risoluzione** ± 0,001

PRO-CP-CTO-M 0 ÷ 20 mg/l (0 ÷ 20 ppm); x = 20 **Risoluzione** ± 0,01

Working PH compensata

Temperature 5 ÷ 50°C

Max Pressure 1 bar (14,5 PSI)

Power Supply 4 fili

Cable lenght 1,5 metri

Probe holder PRO-HCP



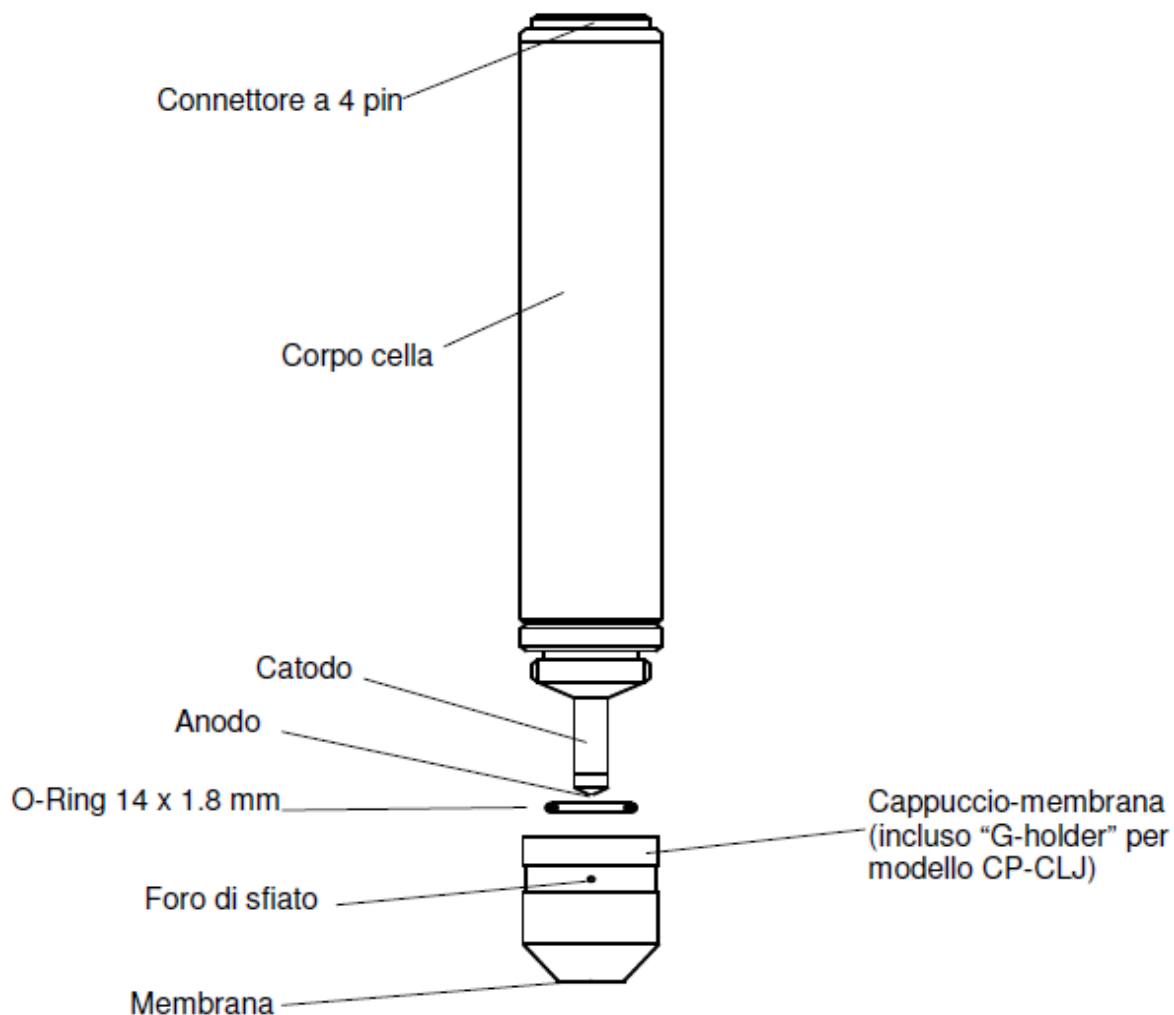
Specifications subject to change without notice

Via Maestri del Lavoro,5 - 02100 Vazia (RI) – ITALY Tel.:+ 39(0)746-229064; Fax:+ 39(0)746-221224
e-mail: info@microdos.it ; Web site: www.microdos.it

CLOSED AMPEROMETRIC CELL CHLORINE

Data
Sheet

CARATTERISTICHE TECNICHE



Specifications subject to change without notice

Via Maestri del Lavoro,5 - 02100 Vazia (RI) - ITALY Tel.:+ 39(0)746-229064; Fax:+ 39(0)746-221224
e-mail: info@microdos.it ; Web site: www.microdos.it