

# PANEL

## ME-DUAL PH - CHLORINE

Data  
Sheet

### DESCRIPTION

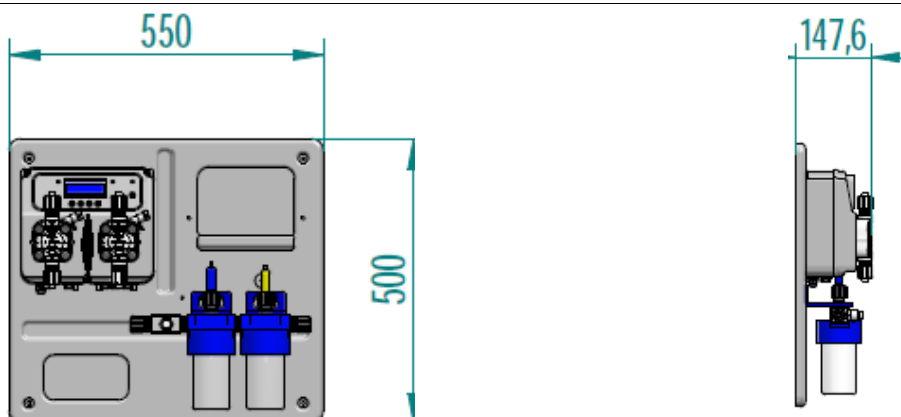
- ✓ IP 65 wired thermo-moulded panel
- ✓ ME DUAL PH/Chlorine dosing system with built in controller with PPM display.
- ✓ Real time on screen display of water values up to two decimals plus temperature
- ✓ Backlit digital display
- ✓ 50 micron washable cartridge filter with probe holder
- ✓ 4 x 6 or 8 x 12 water inlet
- ✓ Flow switch
- ✓ Overdose alarm TAL System
- ✓ Start up delay and Password protected
- ✓ **PH Stability mode** for a perfect water sanification
- ✓ Flow rate display in %
- ✓ 3 operating modes: **constant, ON / OFF, proportional**
- ✓ Four languages menu: **Italian, English, French, Spanish**
- ✓ Alarm relay (free contact )
- ✓ Default parameter restore option
- ✓ **STAND\_BY** function
- ✓ Over/under range signal



### OPTIONAL

- ✓ ON/OFF switch
- ✓ Level probe predisposition
- ✓ Temperature probe

### DIMENSIONS



Specifications subjected to change without notice

Via Maestri del Lavoro,5 - 02100 Vazia (RI) - ITALY Tel.:+ 39(0)746-229064; Fax:+ 39(0)746-221224  
e-mail: info@microdos.it ; Web site: www.microdos.it

# PANEL

---

## ME-DUAL PH - CHLORINE

Data  
Sheet

DESCRIPTION		
	Standard configuration	Upon request
<b>Pump Head</b>	PVDF fittings 1/2"	PP fittings 1/2"
Balls	Pyrex	Ceramica, PTFE, AISI 316
Diaphragm	PTFE	-----
<b>Fittings</b>	PVDF	PP
<b>Seals</b>	Viton®	EPDM
Valve Body	PVDF 4 x 6	PP 4 x 6
Foot Filter	PVDF 4 x 6 fittings lip valve	PP 4 x 6 fittings lip valve
Injection Valve	PVDF 4 x 6 fittings ball valve	PP 4 x 6 fittings ball valve
Suction tube	PVC 4 x 6	PVDF 4 x 6
Delivery tube	PE 4 x 6	PVDF 4 x 6

TECHNICAL SPECIFICATIONS											
Standard	Max l/h	Pressure		Max cc / imp	Stroke	Solenoid	Pump Head	VA	Pulses	Weight	
		Bar	PSI							kg.	Lbs
Chlorine pump	10	02	29,4	1,11	1,3	Ø 80	PVDF	50	150	8	15,3
PH pump	05	10	145	0,55	1,1	Ø 80	PVDF	50	150		

STANDARD PROBES						
	PH				CHLORINE	
Probes features	PRO-PH	PRO-G-PH	PRO-P-PH	PRO-H-PH		
Full Scale	0 ÷ 14	0 ÷ 14	0 ÷ 14	0 ÷ 14	0,20 ÷ 5,00	
Resolution	0,01	0,01	0,01	0,01	0,1	
Flow rate	40 lt / h	40 lt / h	40 lt / h	40 lt / h	40 lt / h	
Body	epoxy	glass	epoxy	glass	plexyglass	
Electrode	platinum	platinum	platinum	platinum	Copper/Platinum	
Temperature	60°C	80°C	50°C	130°C	60°C	
Connection	BNC	BNC	BNC	BNC	HTC	
Cable lenght	1 mt	1 mt	1 mt	1 mt	1 mt	
Back Pressure	2 bar	2 bar	2 bar	6 bar	2 bar	

Specifications subjected to change without notice

Via Maestri del Lavoro,5 - 02100 Vazia (RI) - ITALY Tel.:+ 39(0)746-229064; Fax:+ 39(0)746-221224  
e-mail: info@microdos.it ; Web site: www.microdos.it