

ME3-CL Chlorine solenoid dosing pump



Description

Electromagnetic, digital proportional dosing pump for chlorine dosing. Protection glass IP 65. Available as wall mounted pump. CE approved and a 100% made in Italy. Four languages: Italian, French, Spanish and English.

Features

- Built in controller for chlorine
- Function mode: Constant, ON/OFF, proportional
- Overdose alarm, set by software
- Start time delay setting
- PPM reading
- Status and programming led
- Over and under measure signal
- Instant flow rate % visualization
- On/off switch

Optional

- Level probe input
- Flow switch input
- SCHUKO plug

Technical data

	Max. flow	Pressure	Max cc	Stroke	Solenoid ø	Power	Pulses	Weight
	[l/h]	[bar]	[cc]	[mm]	[mm]	[W]	[ppm]	[kg]
Standard flow model								
10-02	10	2	1,11	1,3	80	60	150	3,5
05-10	5	10	0,55	1,1	80	60	150	3,5
04-12	4	12	0,44	0,9	80	60	150	3,5
High flow model								
24-01	24	1	3,34	1,9	90	60	150	4
22-02	22	2	2,89	1,9	90	60	150	4
High pressure model								
03-15	3	15	0,33	1,3	80	60	150	3,5
02-18	2	18	0,22	0,9	80	60	150	3,5

ME3-CL Chlorine solenoid dosing pump



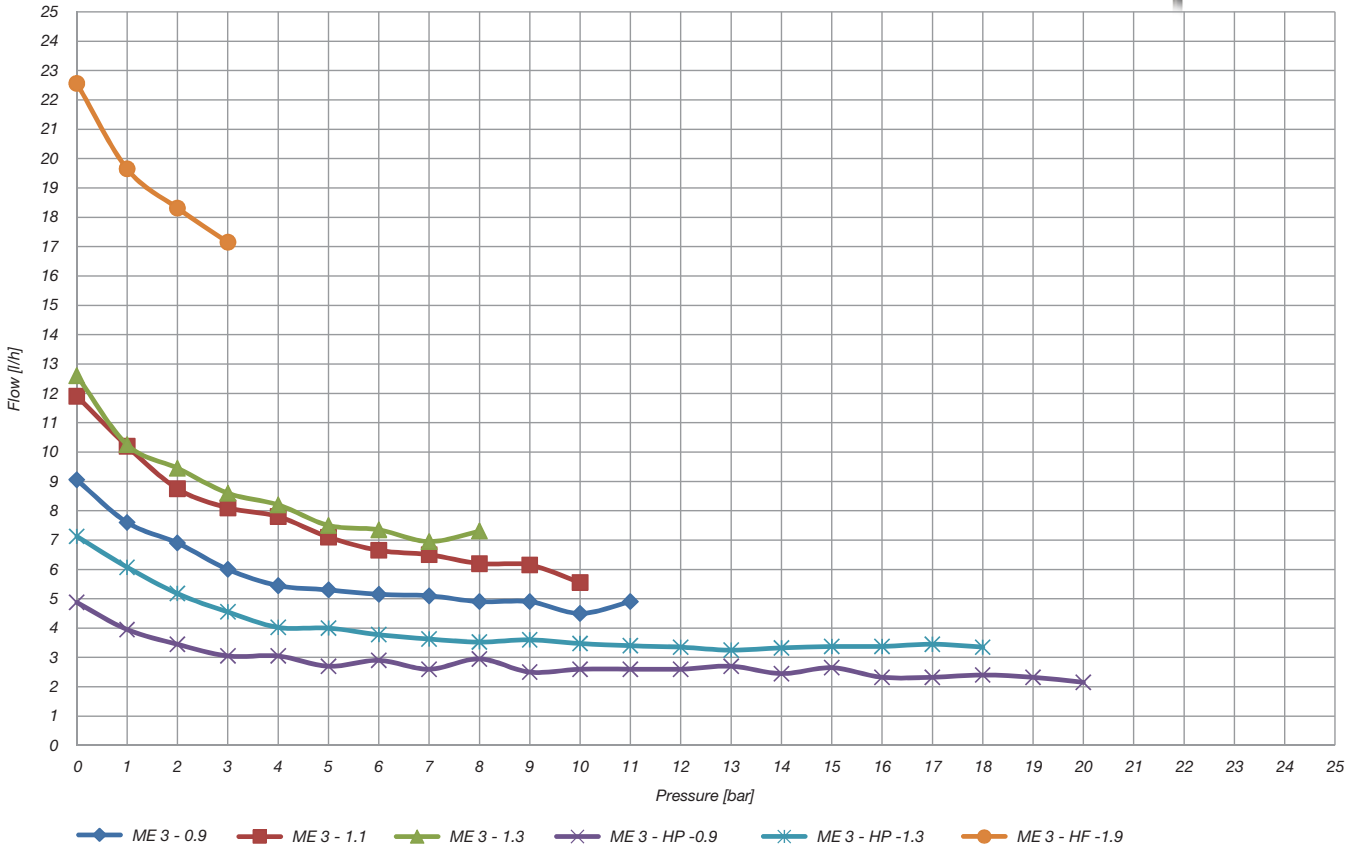
Materials

	Standard material	Optional material
Pump head		
Standard flow model	PVDF	PP
High flow model	PVDF	-
High pressure model	PVDF	-
Parts		
Balls	Pyrex	Ceramics, PTFE, SS 316
Diaphragm	PTFE	-
Fittings	PVDF 1/2"	PP 1/2"
Seals	FPM	EPDM
Valve cartridges	PP 4 x 6	PVDF 4 x 6
Foot filter	PP 4 x 6 lip valve	PVDF 4 x 6 ball valve
Injection valve	PVDF 4 x 6 ball valve	PP 4 x 6 ball valve
Suction tube	PVC 4 x 6	PVDF
Delivery tube	PE 4 x 6	PVDF

ME3-CL Chlorine solenoid dosing pump



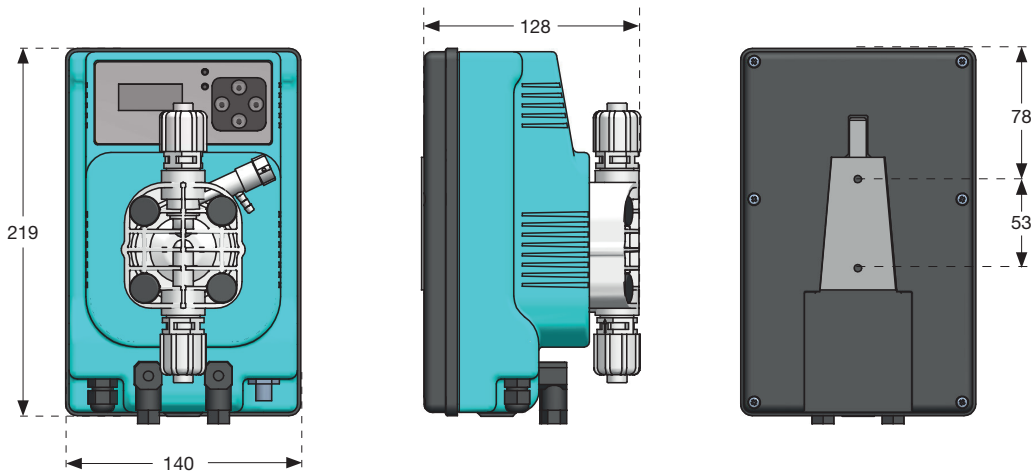
Performance curve



ME3-CL Chlorine solenoid dosing pump



Dimensions



All dimensions are in mm.
All dimensions and weights are for guidance only.

Standard installation kit

- Injection valve
- Foot filter
- Delivery tube 2 m PE 4x6
- Suction tube 2 m PVC 4x6
- Bleed tube 1.5 m PVC 4x6

Accessories

- Probes (Chlorine Cells)
- Probe holders
- Suction lances
- Mixers
- Tanks & bunds

Microdos Amperometric chlorine cell PRO-CG-CL3

0-5 mg/l measurement range; plexiglass body, flow switch sensor, copper/platinum electrode. Only working correctly with water flow between 30 – 50 l/h. Always in combination with PRO-HCG-CL3 flow trough probe holder

