

ME3-pH/Rx solenoid dosing pump



Description

Electromagnetic, digital proportional dosing pump for the control of pH or Redox (pH or Redox needs to be defined). Available as wall mounted pump. CE approved and 100% made in Italy. Four languages: Italian, French, Spanish and English.

Features

- Built in pH/Orp control
- Control range: pH or mV (Orp) directly from the pump's program
- Function mode: Constant, ON/OFF, Proportional
- TAL protection system from overdosing
- Programmable start delay
- LED programming and display
- IP 65 protection
- Over range and under range signal
- Flow indication in % instant by instant
- On/off switch

Optional

- Level probe input
- Flow sensor input
- SCHUKO plug

Technical data

	Max. flow	Pressure	Max cc	Stroke	Solenoid ø	Power	Pulses	Weight
	[l/h]	[bar]	[cc]	[mm]	[mm]	[W]	[ppm]	[kg]
Standard flow model								
10-02	10	2	1,11	1,3	80	60	150	3,5
05-10	5	10	0,55	1,1	80	60	150	3,5
04-12	4	12	0,44	0,9	80	60	150	3,5
High flow model								
24-01	24	1	3,34	1,9	90	60	150	4
22-02	22	2	2,89	1,9	90	60	150	4
High pressure model								
03-15	3	15	0,33	1,3	80	60	150	3,5
02-18	2	18	0,22	0,9	80	60	150	3,5

ME3-pH/Rx solenoid dosing pump



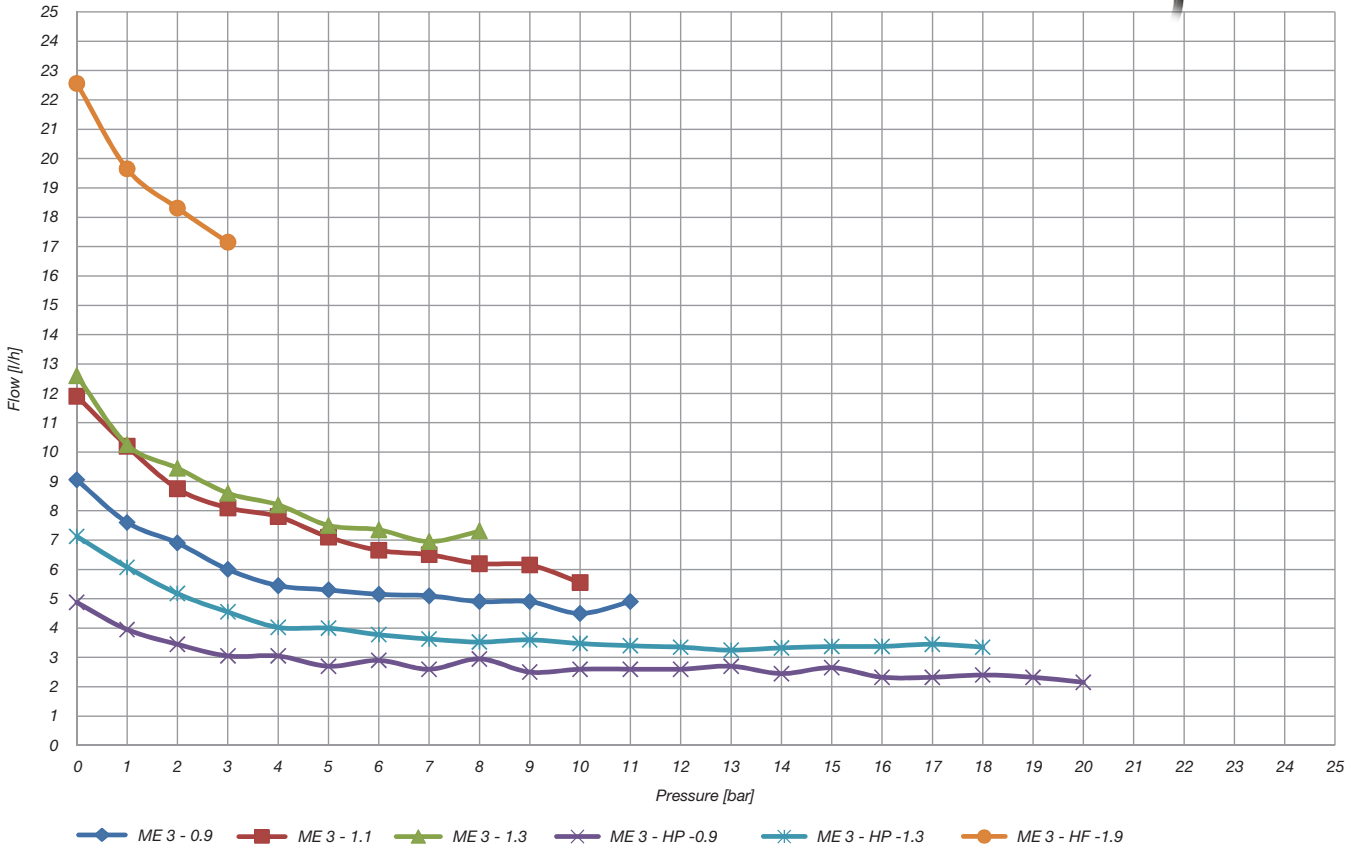
Materials

	Standard material	Optional material
Pump head		
Standard flow model	PVDF	PP
High flow model	PVDF	-
High pressure model	PVDF	-
Parts		
Balls	Pyrex	Ceramics, PTFE, SS 316
Diaphragm	PTFE	-
Fittings	PVDF 1/2"	PP 1/2"
Seals	FPM	EPDM
Valve cartridges	PP 4 x 6	PVDF 4 x 6
Foot filter	PP 4 x 6 lip valve	PVDF 4 x 6 ball valve
Injection valve	PVDF 4 x 6 ball valve	PP 4 x 6 ball valve
Suction tube	PVC 4 x 6	PVDF
Delivery tube	PE 4 x 6	PVDF

ME3-pH/Rx solenoid dosing pump



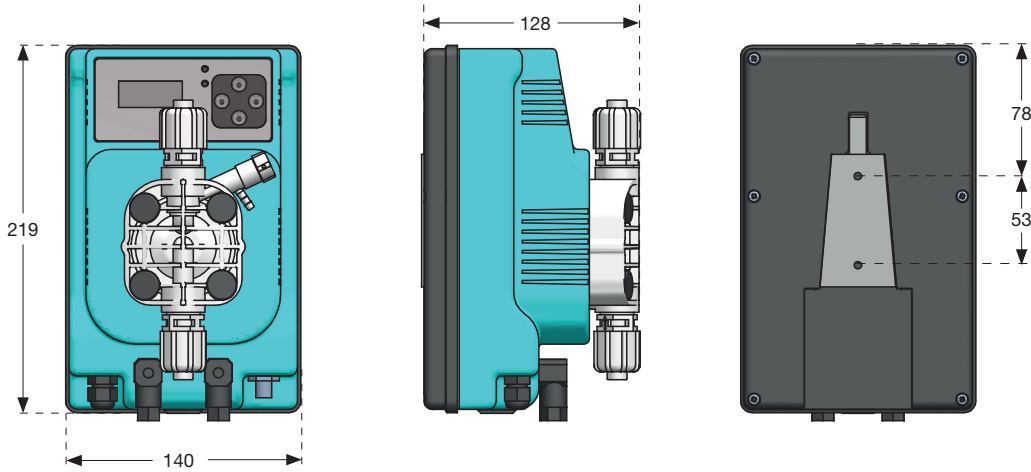
Performance curve



ME3-pH/Rx solenoid dosing pump



Dimensions



All dimensions are in mm.
All dimensions and weights are for guidance only.

Standard installation kit

- Injection valve
- Foot filter
- Delivery tube 2 m PE 4x6
- Suction tube 2 m PVC 4x6
- Bleed tube 1.5 m PVC 4x6

Accessories

- Probes (ph/Redox)
- Probe holders
- Suction lances
- Mixers
- Tanks & bunds