

PERISTALTIC PUMP MP-PRO CHLORINE

Data
Sheet

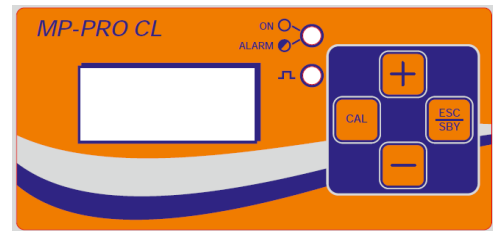
DESCRIPTION

- ✓ Peristaltic pump with built in Chlorine controller and p.p.m measurement directly by amperometric copper/platinum probe
- ✓ 3 operating mode available: **constant, ON/OFF, proportional**
- ✓ 4 languages selection: **Italian, English, French or Spanish**
- ✓ Timed Overdose alarm
- ✓ 8 x 2 backlit LCD display
- ✓ Alarm and status led
- ✓ Reinforced PP body
- ✓ IP 55 Protection Degree
- ✓ Flow rate visualization in % on the screen
- ✓ 100% Made in Italy
- ✓ CE approved
- ✓ Standard Power Supply 230 V 50-60 Hz



OPTIONAL

- ✓ Level probe input
- ✓ Flow sensor switch input
- ✓ ON / OFF switch



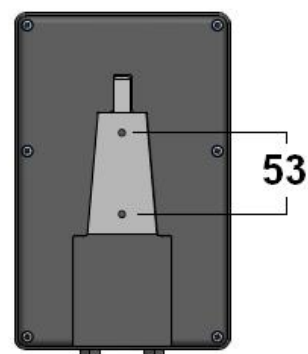
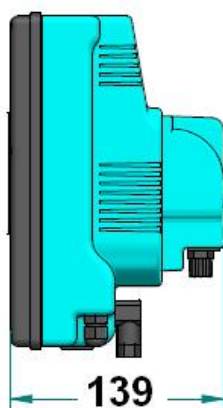
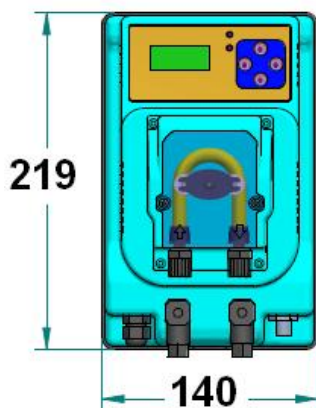
TECHNICAL DATA

	Standard Material	Upon request
Box	PP	-----
Rollers	DELRIN	-----
Tube	Santoprene	-----
Power	8 Watt	-----
Ring Nuts	PP M10	-----
Fittings	PP tube 4 x 6	-----
Probe connection	BNC	-----
Foot filter valve	Lip valve	Ball valve
Suction tube	PVC 4 x 6	PVDF
Delivery Tube	PE 4 x 6	PVDF

PERISTALTIC PUMP MP-PRO CHLORINE

Data
Sheet

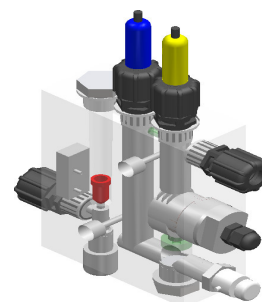
TECHNICAL SPECIFICATIONS										
Standard	Max l/h	Pressure		Max cc / min	Tube Santoprene	Box	Power [Watt]	RPM	Weight	
		Bar	PSI						kg.	Lbs
1,5-01	1,5	01	14,7	25	5,8 x 9,3	PP	8	10	1,8	3,31
03-01	03	01	14,7	50	5,8 x 9,3	PP	8	20	1,8	3,31
06-01	06	01	14,7	100	5,8 x 9,3	PP	8	40	1,8	3,31



CHLORINE PROBE TECHNICAL DATA

MODEL	PRO-CG-CL3
Full scale mg/l	0÷10
Resolution	±0,01
Flow rate	30÷40 l/h
Cable lenght	1,5 mt
Temperature	5÷50°C
Electrode	Copper/ platinum

Flow rate required for optimal performance between 30 and 50 l/h.



ACCESSORIES KIT

Injection valve
PP-lip-Viton

Foot filter PP lip
valve

Delivery tube 2mt
PE 4x6

Suction tube 2mt PVC 4x6

STANDARD KIT

