

PERISTALTIC PUMP MP-PRO PH-REDOX

Data
Sheet

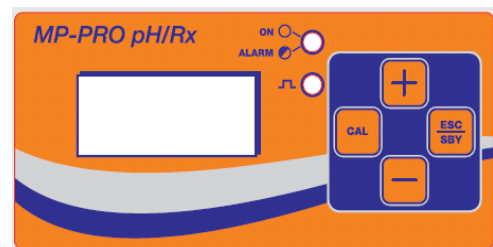
DESCRIPTION

- ✓ Digital peristaltic pump with built in PH/REDOX controller
- ✓ PH or mV (REDOX) control setting by software
- ✓ 3 different operating mode: **constant, ON/OFF, proportional**
- ✓ 4 languages menu: **Italian, English, French, Spanish**
- ✓ Timed Overdose alarm
- ✓ Backlit 8x2 digital display
- ✓ Status and programming led
- ✓ Reinforced PP box
- ✓ IP 55 Protection Degree
- ✓ 100 % Made in Italy
- ✓ CE approved
- ✓ Standard Power Supply 230V 50-60 Hz



OPTIONAL

- ✓ Level probe input
- ✓ Flow sensor switch input
- ✓ ON / OFF switch

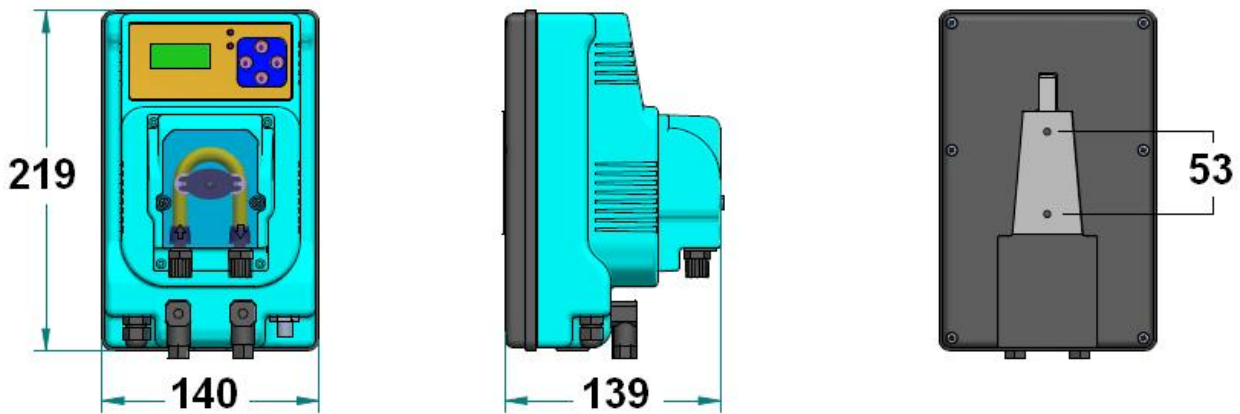


	DESCRIZIONE	
	Standard material	Upon request
Standard Version		
Box	PP	-----
Roller	DELTRIN	-----
Tube	Santoprene	-----
Consumption	8 Watt	-----
Ring Nuts	PP M10	-----
Fittings	PP tube 4 x 6	-----
Probe connection	BNC	-----
Foot filter	Lip valve	Ball valve
Suction tube	PVC 4 x 6	PVDF
Delivery tube	PE 4 x 6	PVDF

PERISTALTIC PUMP MP-PRO PH-REDOX





Data
Sheet

Technical Specifications										
Standard	Max l/h	Pressure		Max cc / min	Santoprene Tube	Box	Power [Watt]	RPM	Weight	
		Bar	PSI						kg.	Lbs
1,5-01	1,5	01	14,7	25	5,8 x 9,3	PP	8	10	1,8	3,31
03-01	03	01	14,7	50	5,8 x 9,3	PP	8	20	1,8	3,31
06-01	06	01	14,7	100	5,8 x 9,3	PP	8	40	1,8	3,31



ACCESSORIES KIT				
	Injection valve PP lip valve	Foot filter PP lip valve	Delivery tube 2mt PE 4x6	Suction tube 2mt PVC 4x6
STANDARD KIT				

--	--

INSTALLATION KIT ON DEMAND	INSTALLATION KIT PH PROBE COMPLETE+2 CLAMP SADDLE (BUFFER PH7-PH9) CODE 11.100.178			
	PH Electrode cable 5 mt. Body Epoxy	Buffer Solution PH 7,00 e PH 9,00	Nr. 2 Clamp Saddle d.50 1/2"	In line probe holder 1/2" PP
				
	INSTALLATION KIT REDOX PROBE COMPLETE+2 CLAMP SADDLE (BUFFER 468mV) CODE 11.100.179			
	Elettrodo di REDOX cavo 5 mt. Corpo epoxy	Soluzione tampone 468 mV	Nr. 2 Clamp Saddle d.50 att. 1/2"	In line probe holder 1/2" PP
	