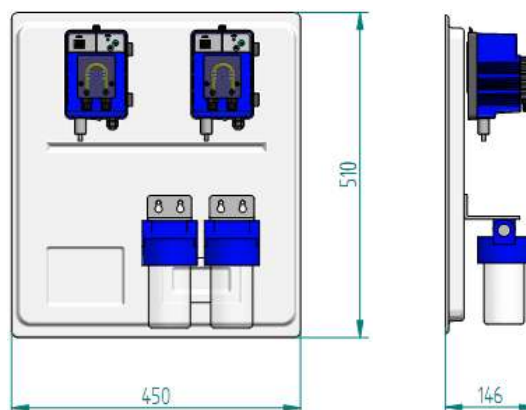


# COMBINED PANEL SPEEDY FAMILY MP1

Data  
Sheet

## DESCRIPTION

- ✓ Electrically wired thermo-phormed panel
- ✓ Peristaltic dosing pump with built in Redox/ORP controller for proportional dosing, MP1 SPEEDY REDOX
- ✓ Peristaltic dosing pump with built in PH controller for proportional dosing, MP1 SPEEDY PH
- ✓ Flow trough probe holder with 50 micron filter
- ✓ Sampling tap
- ✓ Easier programming
- ✓ Auto calibration with one buffer solution
- ✓ Buffer solution pH 7 e 468 mV
- ✓ Shuko plug
- ✓ pH and redox electrode with epoxy body, 1 meter cable



## OPTIONAL

- ✓ Graphic customization



**PH CONTROLLER**



**REDOX POTENTIAL CONTROLLER FOR CHLORINE**



PRO-PH

<b>Range</b>	0..14 pH
<b>Pressure</b>	3 BAR
<b>T°C</b>	70°C
<b>Body</b>	Epoxy
<b>Sensor</b>	platinum
<b>Conn.</b>	BNC
<b>Diameter</b>	Ø 12mm



PRO-REDOX

<b>Range</b>	±1500mV / offset ±20 mV
<b>Pressure</b>	3 BAR
<b>T°C</b>	70°C
<b>Body</b>	Epoxy
<b>Sensor</b>	platinum
<b>Conn.</b>	BNC
<b>Diameter</b>	Ø 12mm

# COMBINED PANEL SPEEDY FAMILY

Data  
Sheet

DESCRIPTION		
	Standard Material	Upon request
<b>Standard Version</b>		
Pump case	PP polipropilene caricato vetro 30 %	-----
Roller	DELRIN	-----
Tube	Santoprene	-----
Power supply	230 v 50 – 60 Hz	-----
Consumption	35 Watts	-----
Net weight	1,0 kg.	-----
Nuts	PP 1/8"	-----
Fittings	PP 4 x 6 mm	-----
Probe connection	BNC	-----

TECHNICAL SPECIFICATION										
Standard	Max lt/h	pressure		Max cc / min	Santoprene Tube	Pump Case	Watt	RPM	Weight	
		Bar	PSI						kg.	Lbs
1,0-01	1	01	14,7	16,8	4 x 7	PP	35	15	3	7,2
1,8-01	1,8	01	14,7	30	4 x 7	PP	35	15	3	7,2

