

Description

The VA-C10 of the CONT-EX series is a very compact, air operated double diaphragm pump (AODD) produced out of 1 piece solid Conductive UHMW Polyethylene. The VA-C10 is used as general purpose pump for medium duty applications and as OEM pump. The pump is abrasive resistant and can be used in Atex environments.

Your benefits

- Improved sealing design without extra support rings
- Abrasion resistant
- Robust (machined out of 1 solid piece, not injection moulded)
- Compact design (need less installation space)
- Can run dry without damage
- Dry self priming

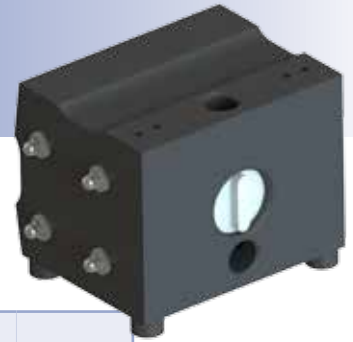
Technical data			
Nominal port size			3/8" NPT(f)
Air inlet connection			R 1/4"
Weight (kg)			1,3
Max. operating pressure (Bar)			7
Max. Operating temperature (°C)			70
Max. size pumpable solids (mm)	Code N° 2	EP, TF	2
		CV	0
Max. suction lift dry (mWc)	Code N° 2	EP, TF	0,5
		CV	0,7
Max. suction lift wet (mWc)		all	8
Max. recommended viscosity (mPas)			500

Code VA-C10 N°1 N°2 N°3		
No.1 Housing and center section ⚠ GG = Conductive Polyethylene UHMW	No.2 Valves EP = EPDM valve balls TF = PTFE Valve balls CV = PE Cylinder valves	No.3 Diaphragms EO = EPDM overmolded TO = PTFE/EPDM overmolded

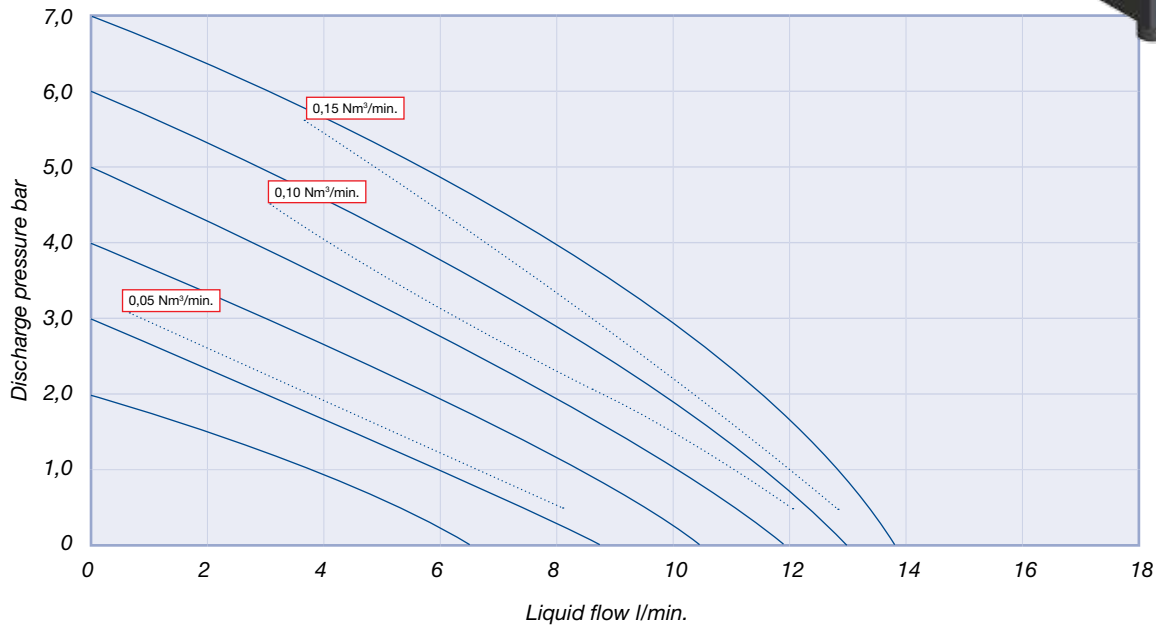
EXAMPLE PUMP TYPE

VA-C10 GG CV TO

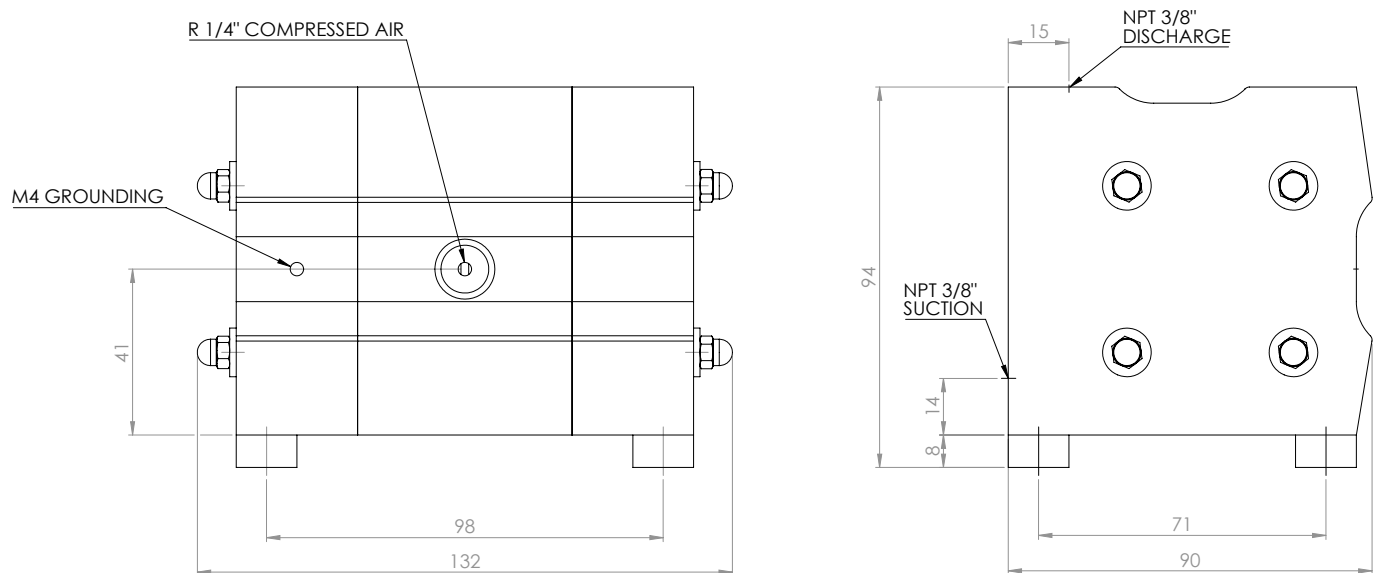
⚠ II 2 GD C T70°



Performance curve



Dimensions



All dimensions are in mm.
All dimensions are for guidance only.

VA_C10_Technosheet_rev01_2016_(eu)



Find your local supplier
at www.verderair.com

For construction, installation and floor mounting drawings
please contact your local authorised Verderair® distributor.