

# Verderair VA-H50 FD




VA-H50 FD

VERDERAIR


Technical data				
Weight [kg]	SS models		66,7	
	SA models		64	
Suction lift [mwc]	Dry		4,8	
	Wet		8,9	
Temperature [°C]	Internals	SP	-40	82
		TF / TO	4	104
		NW	-18	93
Max. Particle size [mm]			6,3	
Max. Viscosity (mPas)			20000	
Certifications	Internals	TF	EN1935/2004	
	All models		FDA	

## Code VA-H50 No.1 No.2 No.3 No.4 No.5 No.6 No.7

### no.1 Fluid section material

 S = 316 Stainless Steel, Ra: 3,2µm

### No. 2 Air Section material

 S = 316 Stainless Steel, Ra: 3,2µm

 A = Aluminium

### No. 3 Check Valve seat material

SE = SS seat with EPDM o-rings

ST = SS seat with PTFE o-rings

### No. 4 Check ball valves material


SP = Santoprene

TF = PTFE

NW = Neoprene Weighted

### No. 5 Diaphragm material

SP = Santoprene

 TF = PTFE/EPDM 2 piece

TO = PTFE/EPDM overmolded

### No. 6 Fluid connections

D6 = DIN 11851, DN65, male

T6 = Tri-Clamp (ASME BPE), 2 1/2"

### No. 7 Pump Style

FD = Food grade design

## EXAMPLE PUMP TYPE

### VA-H50SS ST TF TO D6 FD

NOTE not all combinations are available



Ex II 2 GD c IIB T6

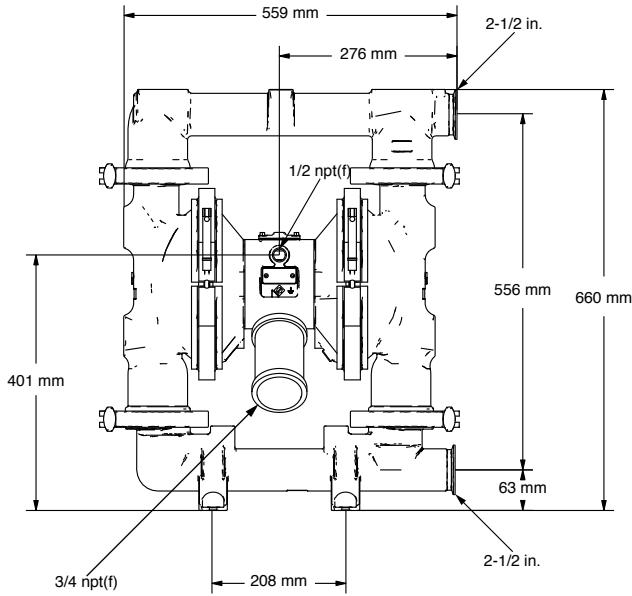
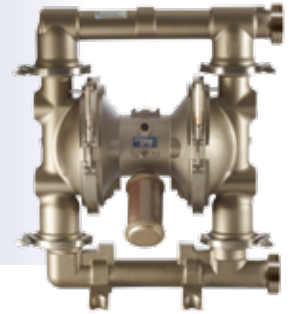


EN 1935/2004

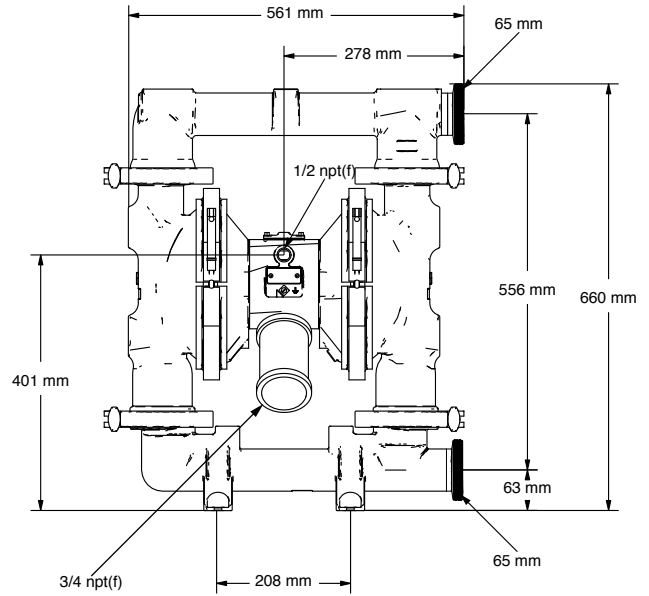


# Verderair VA-H50 FD

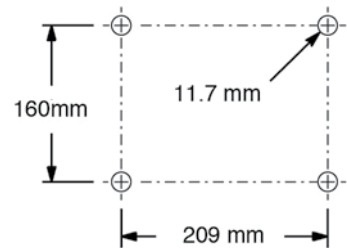
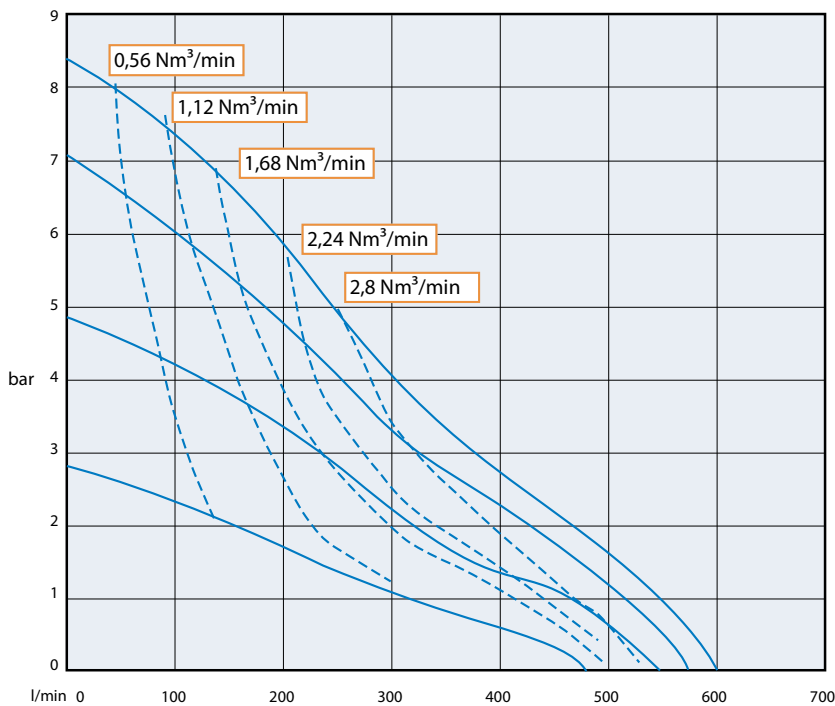
VA-H50 FD



VA-H50-FD Tri-Clamp



VA-H50-FD Din



Footprint

Air consumption

VA-H50 FD\_Techno\_Rev01-2014\_EU\_(eu)

Find your local supplier at [www.verderair.com](http://www.verderair.com)

**VERDER**  
passion for pumps