

Verderair

VA40 (HE) non-metallic



VERDERAIR®

Description

The VA40 (HE) non-metallic double diaphragm pumps are excellent pumps for use in a wide range of applications across many industries. Those pumps are using the modern technology to make them the most efficient on the market! The air section is from Polypropylene, which makes the pump suitable to be installed in the most severe environments. The VA40 (HE) is available in 2 different materials for the pump body and 4 different materials available for the diaphragms. This makes it possible to select the best solution for your application.

Your benefits

- Energy efficient
- Less downtime
- Easy to install, operate and maintain
- Ant-ice muffler
- Free of air lubrication
- Non-stalling air valve
- Can run-dry without damage
- Dry self-priming

Technical data

Weight [kg]	Fluid & air section	PP	25,9
		KP	33,6
Max. suction lift [mwc]		Dry	4,9
		Wet	9,4
Temperature [°C]	Fluid section	Internals	
	P	All except TF, TO	0 66
	P	TF, TO	4 66
	K	VT,KY	0 107
	K	PP	0 66
	K	TF, TO	4 82
	K	SP	0 82
Max. Particle size [mm]			6,3
Max. recommended viscosity (mPas)			15000

Code VA40 No.1 No.2 No.3 No.4. No.5 No.6 No.7

No.1 Fluid section

K = Kynar (PVDF)
P = Polypropylene

No.2 Air section

P = Polypropylene

No.3 Check valve seats

KY = Kynar (PVDF)
PP = Polypropylene

SP = Santoprene

SS = Stainless Steel

No. 4 Check valve balls

SP = Santoprene

VT = Viton (FKM)

TF = PTFE

No.5 Diaphragms

SP = Santoprene

TF = PTFE/EPDM 2 piece

TO = PTFE/EPDM overmolded

VT = Viton (FKM)

No. 6 Connections

FC = Center Flange DIN/ANSI *

FE = End Flange DIN/ANSI

No. 7 Options

OO = Standard

* only available for VA40PP

EXAMPLE PUMP TYPE

VA40PP PP TF TO FE OO

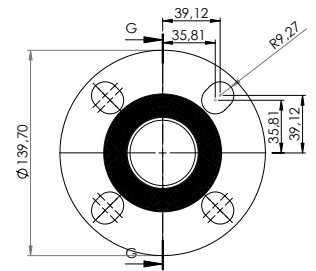
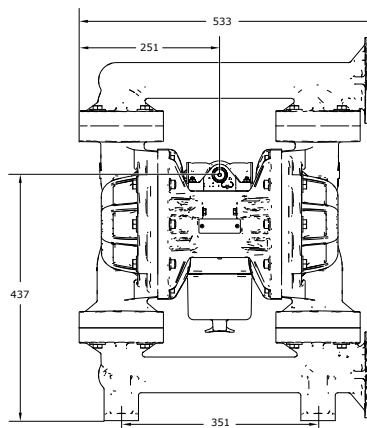
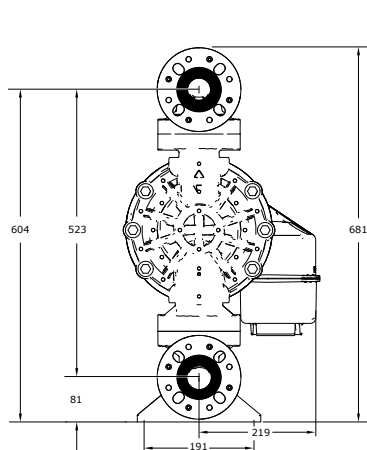
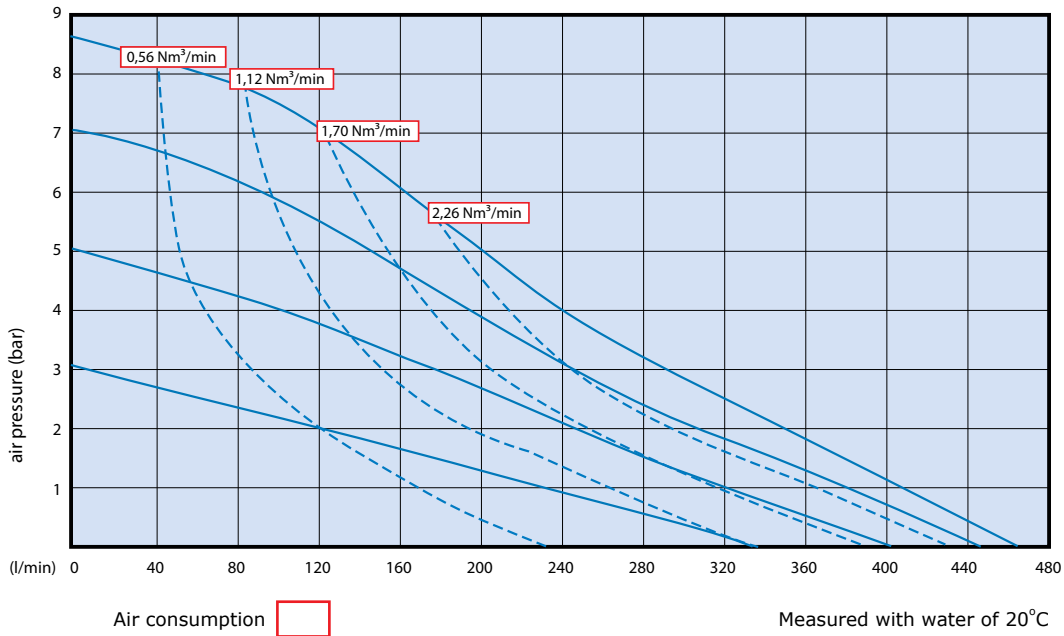
NOTE not all combinations are available

Verderair

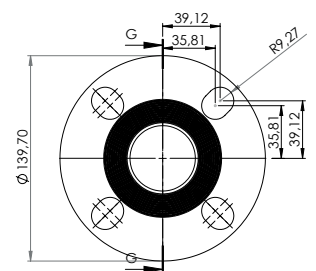
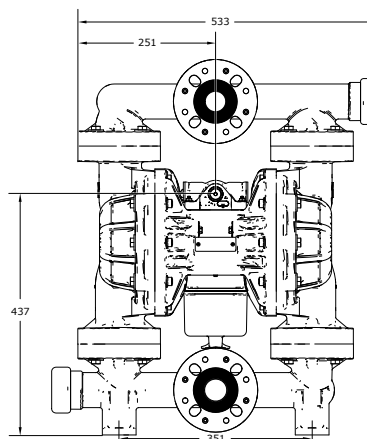
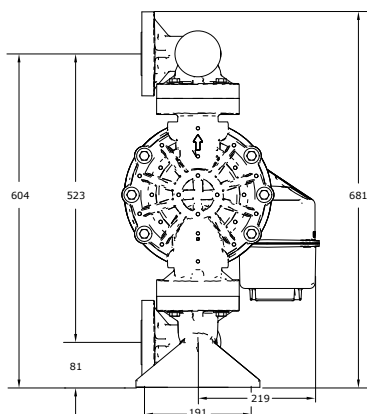
VA40 (HE) non-metallic



VERDERAIR®



End flange models



Centre flange models (only in PP)

All dimensions are in mm. All dimensions are for guidance only.

Find your local supplier
at www.verderair.com

For construction, installation and floor mounting drawings
please contact your local authorised Verderair® distributor.

VERDER
passion for pumps

