

Instructions/Parts

Verder HI-CLEAN 2.5:1 Sanitary

Piston Pumps



819.0660
Rev.L
EN

For use in sanitary applications to transfer low- to medium-viscosity fluids. Use with non-flammable liquids only. For professional use only.



Important Safety Instructions

Read all warnings and instructions in this manual. **Save these instructions.**

Maximum Fluid Working Pressure: 17.0 bar (1.7 MPa, 250 psi)



ti19915a

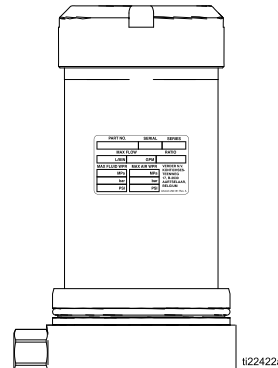


Contents

Pump Configuration	3	Troubleshooting.....	10
Warnings	4	Repair.....	11
Installation.....	6	Disconnect the Air Motor	11
Grounding	6	Air Motor Disassembly	11
Mounting	6	Air Motor Reassembly	13
Setup	6	Disassemble the Pump.....	15
Operation.....	8	Reassemble After Cleaning	16
Pressure Relief Procedure.....	8	Reconnect The Pump.....	17
Flush Before First Use.....	8	Parts.....	18
Adjusting the Pump Speed and		Kits and Accessories.....	24
Pressure	8	Dimensions	25
Pump Shut Down	8	Performance Chart	26
Maintenance	9	Technical Data	27
Flushing Procedure.....	9	Customer Services/Guarantee.....	29
Cleaning.....	9		
Tighten Threaded Connections	9		

Pump Configuration

See ID tag on side of air motor (located under the motor cover) for model number.





Sample Configuration Number: VA-H25 SP EV SS LO TW SP

VA-H	25	SP	EV	SS	LO	TW	SP
Pump Model	Size	Fluid Section and Air Section	U-cups and O-Rings	Balls	Pump Length	Connections	Pump Style

Pump Model	Fluid Section and Air Section Material		U-cups and O-Rings		Check Valve Balls	
VA-H25	SP	Stainless Steel Pump with Polypropylene Air Section	EV	UHMWPE U-cups with FKM O-rings	SS	Stainless steel
			TV	PTFE U-cups with FKM O-rings		





Pump Length		Connections		Pump Style	
LO	Tall Drum Length (107 cm, 42 in. Drum)	T2	25.4 mm, 1-inch tri-clamp	SP	Sanitary Piston Pump
ST	Standard Drum Length (86 cm, 34 in. Drum)				







Available Configurations

Pump Model	Configuration Number	Approvals
810.0850	VA-H25 SP EV SS LO T2 SP	  <p>II 2 GD Ex h IIA T3 Gb Ex h IIIB T158°C Db</p>
810.0851	VA-H25 SP TV SS LO T2 SP	
810.0852	VA-H25 SP EV SS ST T2 SP	
810.0853	VA-H25 SP TV SS ST T2 SP	

Warnings




The following warnings are for the setup, use, grounding, maintenance and repair of this equipment. The exclamation point symbol alerts you to a general warning and the hazard symbol refers to procedure-specific risks. When these symbols appear in the body of this manual or on labels refer back to these Warnings. Product-specific hazard symbols and warnings not covered in this section may appear throughout the body of this manual where applicable.

 WARNING	
	<p>FIRE AND EXPLOSION HAZARD</p> <p>Flammable fumes, such as solvent and paint fumes, in work area can ignite or explode. To help prevent fire and explosion:</p> <ul style="list-style-type: none"> • Use equipment only in well ventilated area. • Eliminate all ignition sources; such as pilot lights, cigarettes, portable electric lamps, and plastic drop cloths (potential static arc). • Keep work area free of debris, including solvent, rags and gasoline. • Do not plug or unplug power cords, or turn power or light switches on or off when flammable fumes are present. • Ground all equipment in the work area. See Grounding instructions. • Use only grounded hoses. • Hold gun firmly to side of grounded pail when triggering into pail. Do not use pail liners unless they are antistatic or conductive. • Stop operation immediately if static sparking occurs or you feel a shock, Do not use equipment until you identify and correct the problem. • Keep a working fire extinguisher in the work area. <p>Static charge may build up on plastic parts during cleaning and could discharge and ignite flammable vapors. To help prevent fire and explosion:</p> <ul style="list-style-type: none"> • Clean plastic parts only in well ventilated area. • Do not clean with a dry cloth.
	<p>PRESSURIZED EQUIPMENT HAZARD</p> <p>Fluid from the equipment, leaks, or ruptured components can splash in the eyes or on skin and cause serious injury.</p> <ul style="list-style-type: none"> • Follow the Pressure Relief Procedure when you stop spraying/dispensing and before cleaning, checking, or servicing equipment. • Tighten all fluid connections before operating the equipment. • Check hoses, tubes, and couplings daily. Replace worn or damaged parts immediately.
	<p>TOXIC FLUID OR FUMES HAZARD</p> <p>Toxic fluids or fumes can cause serious injury or death if splashed in the eyes or on skin, inhaled, or swallowed.</p> <ul style="list-style-type: none"> • Read MSDSs to know the specific hazards of the fluids you are using. • Store hazardous fluid in approved containers, and dispose of it according to applicable guidelines.

 <h1 style="margin: 0;">WARNING</h1>	
  <small>MPa / bar / PSI</small>	<p>EQUIPMENT MISUSE HAZARD</p> <p>Misuse can cause death or serious injury.</p> <ul style="list-style-type: none"> • Do not operate the unit when fatigued or under the influence of drugs or alcohol. • Do not exceed the maximum working pressure or temperature rating of the lowest rated system component. See Technical Data in all equipment manuals. • Use fluids and solvents that are compatible with equipment wetted parts. See Technical Data in all equipment manuals. Read fluid and solvent manufacturer's warnings. For complete information about your material, request MSDS from distributor or retailer. • Do not leave the work area while equipment is energized or under pressure. (If applicable.) • Turn off all equipment and follow the Pressure Relief Procedure when equipment is not in use. • Check equipment daily. Repair or replace worn or damaged parts immediately with genuine manufacturer's replacement parts only. • Do not alter or modify equipment. Alterations or modifications may void agency approvals and create safety hazards. • Make sure all equipment is rated and approved for the environment in which you are using it. • Use equipment only for its intended purpose. Call your distributor for information. • Route hoses and cables away from traffic areas, sharp edges, moving parts, and hot surfaces. • Do not kink or over bend hoses or use hoses to pull equipment. • Keep children and animals away from work area. • Comply with all applicable safety regulations.
 	<p>PLASTIC PARTS CLEANING SOLVENT HAZARD</p> <p>Many solvents can degrade plastic parts and cause them to fail, which could cause serious injury or property damage.</p> <ul style="list-style-type: none"> • Use only compatible water-based solvents to clean plastic structural or pressure-containing parts. • See Technical Data in this and all other equipment instruction manuals. Read fluid and solvent manufacturer's MSDSs and recommendations.
	<p>PERSONAL PROTECTIVE EQUIPMENT</p> <p>Wear appropriate protective equipment when in the work area to help prevent serious injury, including eye injury, hearing loss, inhalation of toxic fumes, and burns. This protective equipment includes but is not limited to:</p> <ul style="list-style-type: none"> • Protective eyewear, and hearing protection. • Respirators, protective clothing, and gloves as recommended by the fluid and solvent manufacturer

Installation

Grounding

			
<p>The equipment must be grounded to reduce the risk of static sparking. Static sparking can cause fumes to ignite or explode. Grounding provides an escape wire for the electrical current.</p>			

Pump: Connect a ground wire to the ground screw on the air motor base. Connect the other end of the ground wire to a true earth ground.

Air and fluid hoses: Use only electrically conductive hoses with a maximum of 150 m (500 ft) combined hose length to ensure grounding continuity. Check electrical resistance of hoses. If total resistance to ground exceeds 25 megohms, replace hose immediately.

Air compressors: Follow manufacturer's recommendations.

Dispense valve: Ground through connection to a properly grounded fluid hose and pump.

Material supply container: Follow local code.

Container(s) that receive material: Follow local code.





Solvent pails used when flushing: Follow local code. Use only conductive metal pails, placed on a grounded surface. Do not place the pail on a nonconductive surface, such as paper or cardboard, which interrupts grounding continuity.

To maintain grounding continuity when flushing or relieving pressure: Hold metal part of the dispense valve firmly to the side of a grounded metal pail, then trigger the valve.

Mounting

Mount the pump to fully support the weight of the pump and accessories, as well as the stress caused during operation. Do not use air or fluid lines to support the pump.

Setup

						
<p>To avoid contaminating the fluid, pipe the exhaust air to vent outside of the fluid product area, away from people, animals, or food handling areas.</p>						

Note

Reference numbers and letters in parentheses in the text refer to the callouts in the figures and the parts drawings.

Make certain all accessories are sized and pressure rated to meet your system requirements.

Figure 1 is only a guide for selecting and installing system components and accessories. Contact your Verder representative for assistance in designing a system to suit your particular needs.

Install a fluid drain valve (P) close to the fluid outlet to relieve fluid pressure in the hose.

Install a bleed-type master air valve (G) close to the pump air inlet (D), to relieve air trapped between it and the air motor.

Install an air filter/regulator (F) in the pump air line, *upstream from the bleed valve*, to control air inlet pressure and to remove harmful dirt and contaminants from your compressed air supply.

Install a pump runaway valve (L) in the pump air line to shut off air to the air motor automatically if the pump starts to run too fast.

Install another bleed-type master air valve (G) upstream from all air line accessories and use it to isolate the accessories during cleaning and repair.

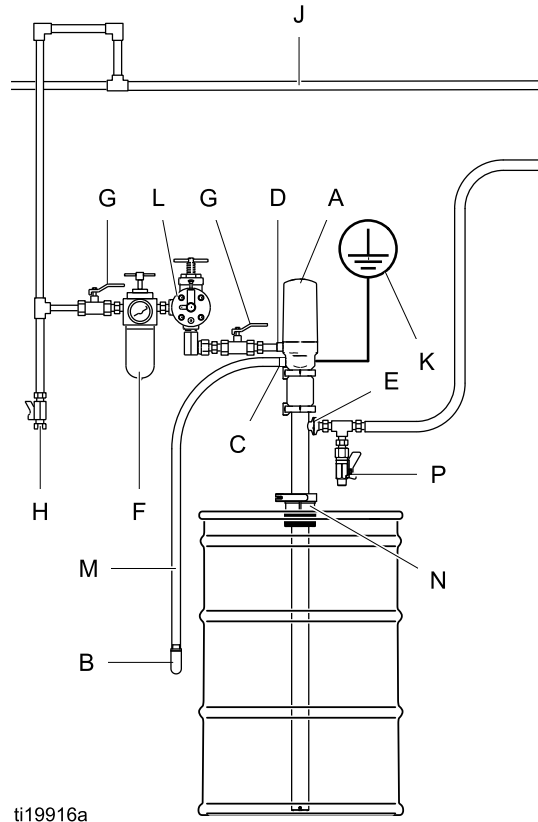


Figure 1 Typical Installation

Key

Pump Components (Included)



- A Bung-mounted sanitary pump
- B Air exhaust muffler (may be mounted on pump or remotely, using exhaust hose, ref. M)
- C 3/8 npt exhaust air outlet
- D 3/8 npt air inlet
- E 1 in. tri-clamp flanged fluid outlet (Order Kit 819.0050).for adapter to 25 mm threaded DIN 11851. See [Accessories, page 24.](#))

System Components/Accessories (sold separately)

- F Air line filter/regulator
- G Bleed-type master air valve (required)
- H Air line drain pipe and valve
- J Main air line
- K Pump ground wire (required, 819.0673)
- L Pump runaway valve
- M Exhaust hose, Kit 819.0649, see [Accessories, page 24.](#)
- N Sanitary bung adapter
- P Fluid drain valve (required)

Operation




NOTICE				
Do not expose the air motor to temperatures higher than 49°C (120°F) or the immersed fluid pump to temperatures higher than 121°C (250°F). Excessive temperatures may damage the pump packings and seals.				

				
To avoid injury from exhaust hose whip, never operate the pump without a muffler installed. Secure the exhaust hose to a solid, stationary object.				

Pressure Relief Procedure



Follow the Pressure Relief Procedure whenever you see this symbol.

				
This equipment stays pressurized until pressure is manually relieved. To help prevent serious injury from pressurized fluid, such as splashing in the eyes or on skin, follow the Pressure Relief Procedure when you stop dispensing and before cleaning, checking, or servicing the equipment.				

1. Shut off the air supply to the pump.
2. Close the bleed-type master air valve (required in system).
3. Open the fluid ball valve and/or dispensing valve to relieve fluid pressure.
4. Open all fluid drain valves in the system, having a waste container ready to catch drainage. Leave drain valve(s) open until you are ready to dispense again.

Flush Before First Use

The sanitary pump was assembled using sanitary lubricant on moving parts and was tested in water. Flush the pump thoroughly with an appropriate cleaning solution or disassemble and sanitize the parts before using the pump. See [Flushing Procedure, page 9](#). Check national, state, and local codes for specific limitations.

Adjusting the Pump Speed and Pressure

Set pressure regulator to 0 psi. Open the bleed-type master air valve. Adjust the pump air regulator until the pump is running smoothly.

Allow the pump to cycle slowly until all air is pushed out of the lines (the fluid will flow in a steady stream from the fluid outlet) and the pump is primed.

With the air supply turned on, the pump will start when the dispensing valve is opened and stall against pressure when the valve is closed. In a circulating system, the pump operates until the air supply is turned off.

NOTICE				
Never allow the pump to run dry of fluid. A dry pump will accelerate to a high speed, possibly damaging itself.				

If the pump accelerates quickly, or is running too fast, stop the pump immediately and check the fluid supply. If the supply is empty and air has been pumped into the lines, replace the container and prime the pump and lines with fluid. Be sure to eliminate all air from the system.

Pump Shut Down

Follow the [Pressure Relief Procedure, page 8](#).

Maintenance

Flushing Procedure



Note:

- Flush before fluid can dry in the equipment, at the end of the day, before storing, and before repairing equipment.
 - Flush at the lowest pressure possible. Check connectors for leaks and tighten as necessary.
 - Flush with an appropriate cleaning solution.
1. Follow [Pressure Relief Procedure, page 8](#) .
 2. Remove the pump from the fluid container. Place it in an empty drum. Operate it to pump out as much fluid as possible.
 3. Place siphon tube in grounded metal pail containing an appropriate cleaning solution.
 4. Set pump air regulator to lowest possible fluid pressure, and start pump.
 5. Run the pump long enough to thoroughly clean the pump and hoses.
 6. Follow [Pressure Relief Procedure, page 8](#) .

Cleaning

- **Be sure** to follow your national and state sanitary standard codes and local regulations.
- Use appropriate cleaning and disinfecting agents, at intervals appropriate for product processed.
- Follow cleaning product manufacturer's instructions.

Note: The pump lower **must be disassembled** to thoroughly clean it.

1. Follow the [Pressure Relief Procedure, page 8](#) .

2. Remove the pump from the fluid container. Place it in an empty drum. Operate it to pump out as much fluid as possible.
3. Flush the system thoroughly with an appropriate cleaning solution. See [Flushing Procedure, page 9](#) .
4. Follow the [Pressure Relief Procedure, page 8](#) .
5. Remove the air and fluid hoses and fittings from the pump.
6. Disassemble the fluid pump and accessories. See [Disassemble the Pump, page 15](#).
7. Wash all pump parts with an appropriate cleaning solution at the cleaning product manufacturer's recommended temperature and concentration.
8. Rinse all pump parts again with water and allow them to dry.
9. Inspect all pump parts and reclean if needed.

Note

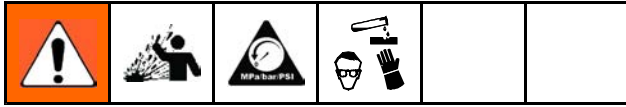
Any damaged rubber parts **must** be replaced as they could harbor microorganisms that can contaminate the fluid.

10. Immerse all pump parts in an appropriate sanitizer before assembly. Take the pump parts out of the sanitizer one-by-one as needed.
11. Lubricate the moving pump parts and o-rings, packings, and seals with appropriate waterproof sanitary lubricant.
12. Circulate the sanitizing solution through the pump and the system prior to use.

Tighten Threaded Connections

Before each use, check all hoses for wear or damage. Replace as necessary. Check that all connections are tight and leak-free.

Troubleshooting



1. Follow [Pressure Relief Procedure, page 8](#) .
2. Check all possible remedies in the Troubleshooting Chart before disassembling the pump.

Problem	Cause	Solution
Pump cycles, but no fluid comes out.	Fluid supply is empty.	Replace fluid supply.
Pump cycles, but fluid flow is too slow.	Air supply flow or pressure is inadequate.	Improve air supply flow, increase pressure, or increase air line size.
	Air valves are closed or clogged.	Open air line. Use dry air.
	Air line is closed or clogged.	Remove obstruction.
	Fluid line is obstructed.	Remove obstruction.
	Fluid line is too small.	Increase size of fluid line.
Fluid is too thick.	Reduce viscosity of fluid by heat or dilution.	
Pump dives and/or does not pump on upstroke.	Pump rod check seat or seals are worn out or missing.	Replace check seat or seals.
Pump dives and/or does not pump on downstroke.	Inlet check seat or seals are worn out or missing.	Replace inlet check seat or seals.
	Fluid inlet is obstructed.	Clear obstructions away from inlet. Raise pump off of drum bottom.
Pump cycles unevenly or erratically.	Air motor is obstructed by ice chunks or other material.	Remove obstruction. Use dry air.
Pump dives at fast speeds only.	Fluid is too thick, causing cavitation.	Reduce viscosity of fluid by heat or dilution or slow down the pump. Raise pump off the bottom of the drum.
Air motor stalls and hisses air.	Ice has built up in the air motor.	Use dry air.
	Air motor has a broken or missing seal.	Replace air motor seals.
	Air motor has a broken part.	Replace broken item.
Air motor hisses air while running.	Air motor has a damaged o-ring or upper gasket.	Replace damaged item.
Fluid comes out of exhaust port.	Throat seals are worn or missing.	Replace throat seals.
	Air line contains too much water.	Use dry air.
Pump rod locks up.	Throat cartridge weep hole is clogged.	Clear.
Cover won't stay on.	Air motor cylinder has a leak.	Tighten air motor cylinder or cover; replace square cylinder seals.

Repair

Disconnect the Air Motor



1. Follow the [Pressure Relief Procedure, page 8](#) .
2. See Figure 11, page 17.
3. Release the top clamp (5).
4. Tilt the air motor and unhook the shaft from the displacement rod. Lift the air motor up and off the rest of the pump.
5. Release the bottom clamp (5). Remove connector (3) and gasket (2).
6. Remove the bung adapter clamp.
7. Pull the displacement pump straight up and out of the container.

Air Motor Disassembly

1. Use flats on the base (118) to clamp the air motor into a vise.
2. Remove the motor cover (10).
3. Remove cap (103). Use a large channel-lock or strap wrench on the cap and hold the cylinder (101) with a strap wrench to prevent distortion to the cylinder. Remove gasket (102) from inside of the cap. Inspect the spring (104) under the cap.

NOTE: Use a screwdriver to pop out the spring if it must be replaced.

4. Use a strap wrench to remove the cylinder (101). Inspect for scoring or damage.

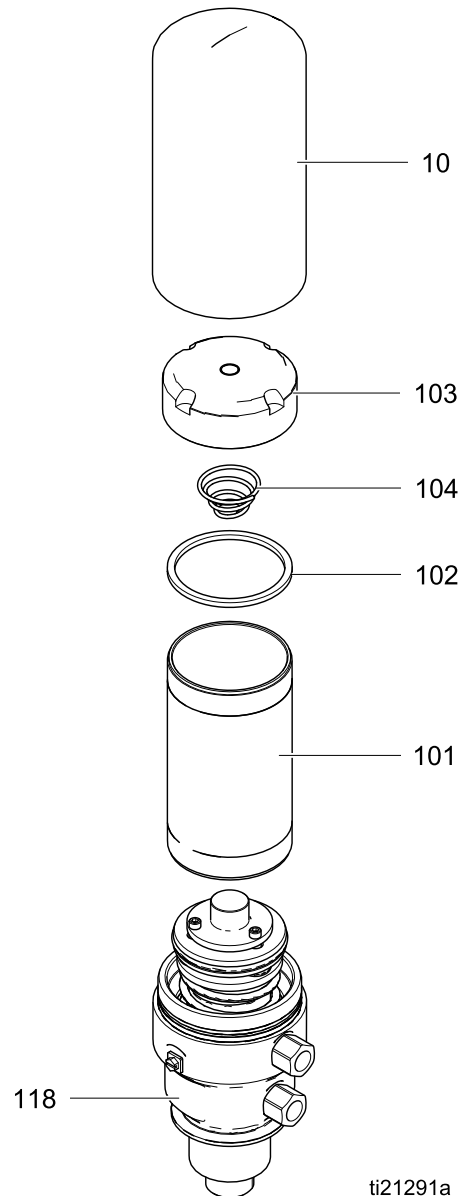


Figure 2

ti21291a

Repair

5. **Air Valve Disassembly:** Follow these steps to disassemble the air valve for cleaning or parts replacement.
- Remove three screws (114), then remove the valve cap (108). Remove gasket (107) and spacers (111).

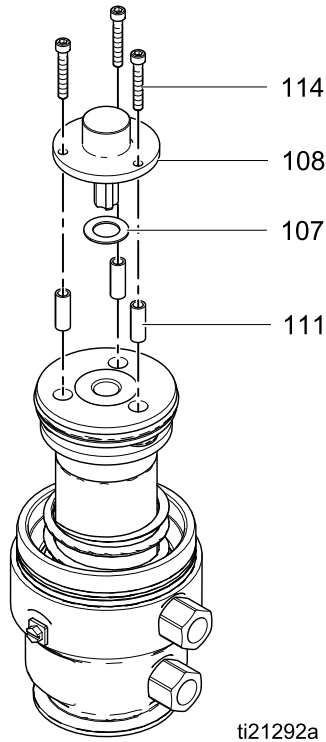


Figure 3

- Pull three o-rings (112) out the sides of the valve. Remove o-ring (106).

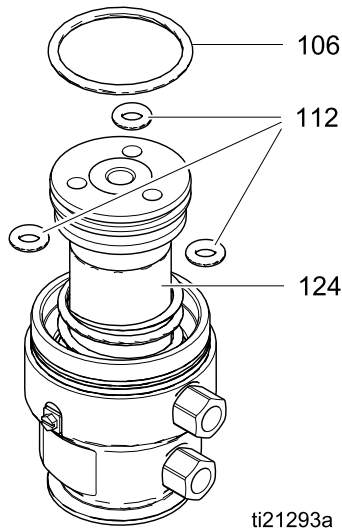


Figure 4

6. **Air Valve Replacement:** Follow these steps to replace the entire air valve, without disassembly.

- Purchase 819.0688 to replace entire valve assembly.
- Clamp piston in a vice. Hold the piston cap with a spanner wrench and unscrew the air valve (105). Wedge a screwdriver blade between the screw heads and the hex cap of the air valve to turn.

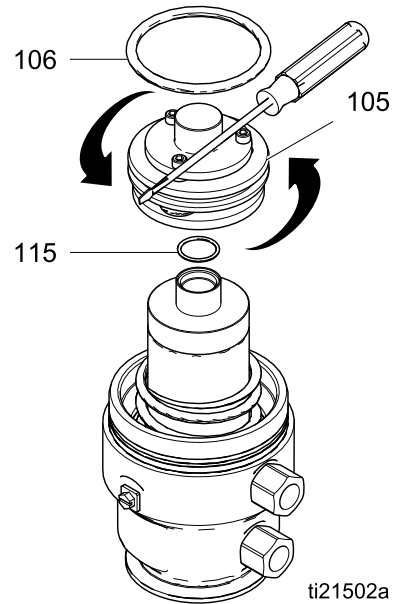


Figure 5

- Remove o-rings (115, 106).
- Replace with the new assembled valve and o-rings from Kit 819.0688. Use pipe sealant on the threads of the valve (105) and torque to 20.3 to 27.1 N·m (15 to 20 ft-lbs).

- Slide the air piston (124) out of the top of the air motor base (118). Remove o-ring (120) and gasket (102) from inside the air motor base. Remove o-ring (123) from groove on outside of base. Inspect all parts, including the spring (122) in the air motor base.

NOTE: Do not remove the spring (122) and retainer (121) if you do not have to.

NOTE: If the white bushing (119) needs to be replaced, use an arbor press to remove. Alternate tapping on the edges with a hammer and a nylon rod or metal punch also will work. The spring (122) and retainer (121) must be removed first.

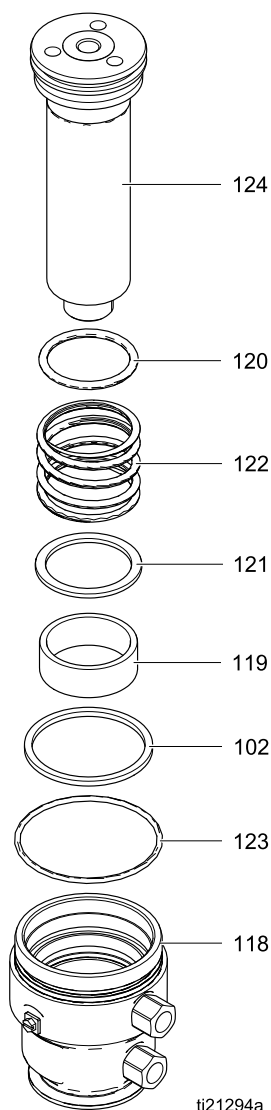
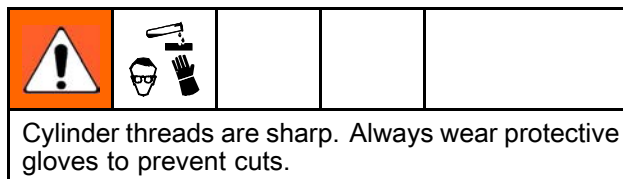


Figure 6

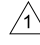
Air Motor Reassembly

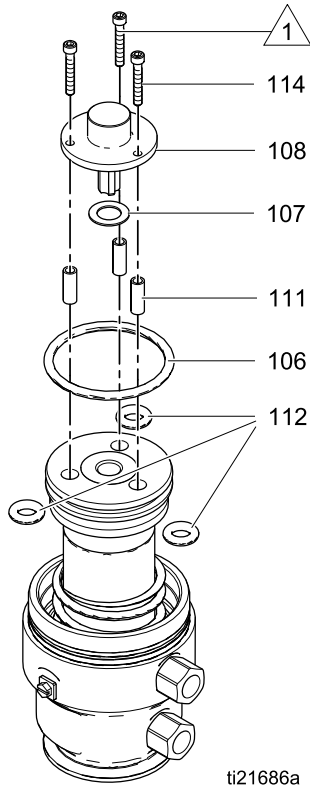


- If the bushing (119) was removed, use an arbor press and seat it all the way into the air motor base (118). Alternate tapping using a hammer and nylon rod or metal punch also works.
- Install the retainer (121) into the air motor base. Tap on the retainer as needed to ensure it seats all the way.
- If the spring (122) was removed, put it into the air motor base (118), with the wider end down. Use a screwdriver to pop it into the groove.
- Lubricate and install o-ring (120) and gasket (102) on the inside of the motor base. Lubricate and install o-ring (123) on the outside.
- Use flats to clamp the base (118) into a vise.
- Lubricate the shoulder and the bottom outside portion of the piston (124). Then, lower it into the air motor base (118).

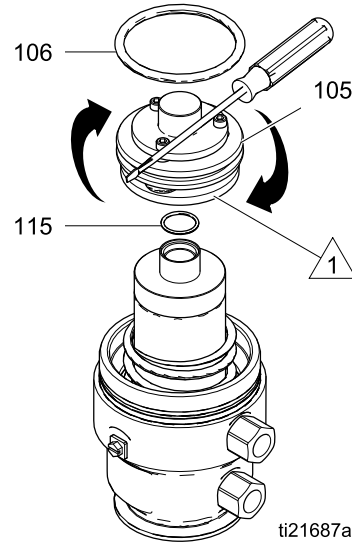
Repair

- 7. Reassemble the air valve (if needed):** Lubricate and install a new o-ring (106) on the air valve (105). Lubricate and install the three o-rings (112), then install the spacers (111). Install gasket (107) and valve cap (108). Apply medium-strength (blue) thread locker on the screw threads. Torque the screws to 2.3 to 3.4 N•m (20 to 30 in-lb). Skip Step 8 and go to Step 9.

 Torque to 2.3 to 3.4 N•m (20 to 30 in-lb).



- 8. Install assembled air valve from kit:** Lubricate and install new o-rings (106 and 115). Use pipe sealant on the threads of the valve (105) and torque to 20.3 to 27.1 N•m (15 to 20 ft-lbs). Use a screwdriver as shown, if needed.

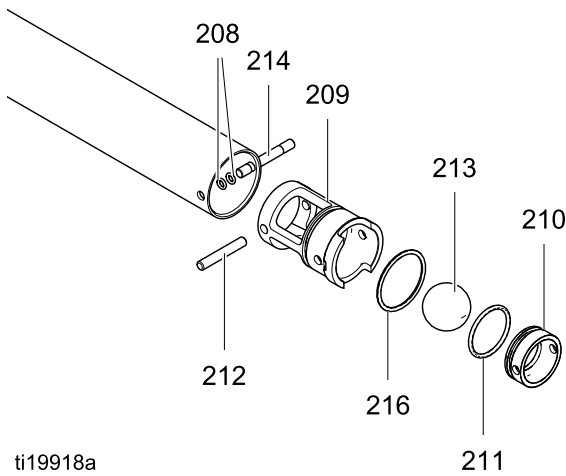


- 9. Grease the inside and threads of the cylinder (101).** With the base clamped in a vise, put the cylinder (101) over the piston and screw into place. Tighten with a strap wrench and torque to 5.6 to 6.8 N•m (50 to 60 in-lb).
- 10. Lubricate and install a new gasket (102) into the air cylinder cap (103).** Make sure the spring (104) is in place. Lubricate the cylinder threads. Use a strap wrench to tighten the cap (103) onto the cylinder (101). Torque to 20.3 to 27.1 N•m (15–20 ft-lb).
- 11. Replace the cover (10).**

Disassemble the Pump

If not yet done, follow steps in [Disconnect the Air Motor, page 11](#). **Note:** Be careful not to scratch the displacement rod. Carry to the bench for service.

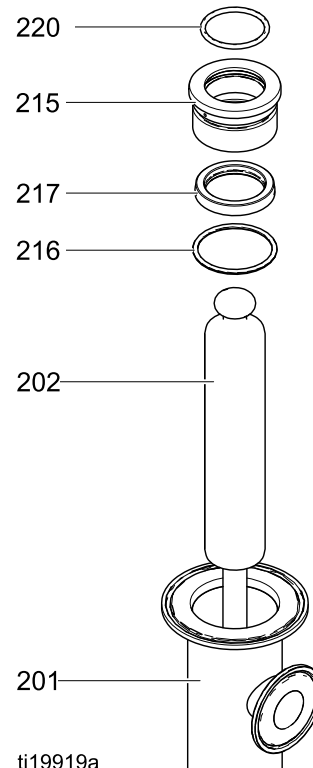
1. Use a pick to move the o-rings (208) to the center of the inlet seat pin (214). Slide the pin halfway out, remove the o-rings (108), then slide the pin the rest of the way out.
2. Use a screwdriver in the slot to remove the inlet valve assembly. Remove the retaining pin (212) and ball (213). Push the seat (210) out the bottom of the inlet housing (209). Remove o-rings (211 and 216). Clean and inspect the parts.



ti19918a

Figure 7

3. Pull the displacement rod (202) out of the top of the cylinder (201) a few inches, but do not remove all the way. Then, remove the cartridge (215). Remove o-rings (216, 220). Use a screwdriver to push the u-cup (217) out of the center of the cartridge. Be careful not to damage the lips.

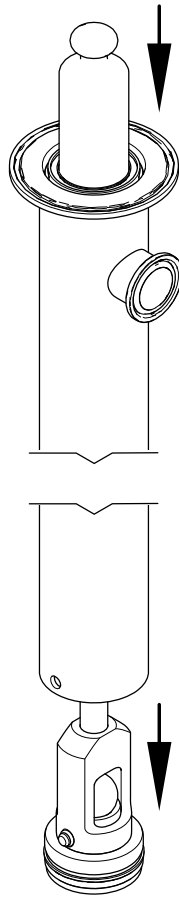


ti19919a

Figure 8

Repair

4. Push the displacement rod (202) all the way out the *bottom* of the cylinder.



ti19920a

Figure 9

5. See Figure 10. Remove one o-ring (208), then slide out the retaining pin (206) and remove the other o-ring. Remove the outlet assembly and ball (207). Remove the o-rings (218) from the seat (203). Be careful not to mix them up with the retaining pin o-rings (208). Slide the bearing (205) and u-cup (204) off the seat (203).

NOTE: If not replacing the u-cup (204), carefully remove and clean the o-ring, without damaging the outer or inner lip of the u-cup.

6. Clean and inspect all parts. Replace the parts as necessary.

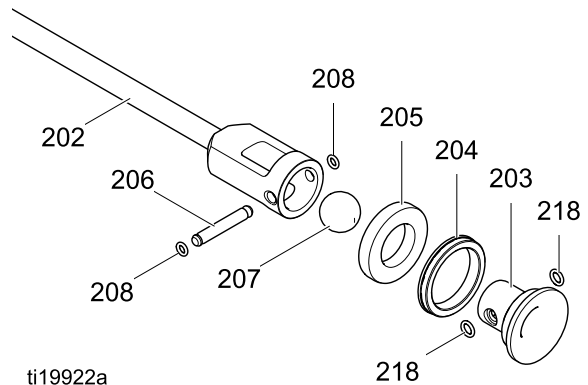
Reassemble After Cleaning

Note: Any damaged parts **must** be replaced.

Note: Lubricate the o-rings, throat packings, and piston seals with appropriate waterproof sanitary lubricant.

1. Lubricate and install u-cup (204) and bearing (205) on the piston seat (203). U-cup lip *must face up*. Lubricate and install o-rings (218) on the seat assembly. Install the ball (207), then the seat assembly in the outlet housing.
2. Lubricate and install one o-ring (208) in the groove on the outlet seat pin (206). Push the pin (206) through the holes. Lubricate and install the other o-ring (208) in the other groove on the pin. Check that the o-rings (208) are seated in the grooves.

NOTE: Be sure to use the **smaller** o-rings (208) on the pin (206) and the **larger** o-rings (218) on the seat assembly. Stack the o-rings on the bench if needed to determine size.



ti19922a

Figure 10

3. Lubricate the inside of the cylinder, near the ends. Then, slide the rod (202) into the cylinder *from the top*.
4. Lubricate and install a new u-cup (217) into the cartridge (215). *U-cup lips must face out of cartridge*.
5. Lubricate and install o-ring (216) on the outside of the cartridge (215).
6. Lift the rod (202) out of the cylinder part way. Lubricate the rod and slide the cartridge (215) over the rod, into the cylinder.
7. Lubricate and install o-ring (220) over the rod into the groove in the top of the cartridge. Then push the rod back into the cylinder.
8. Lubricate and install o-ring (211) on inlet seat (210), then install seat (210) in inlet housing (209). Use the pin to align the holes.
9. Lubricate and install o-ring (216) on inlet housing (209), then install the ball (213) and pin (212).

10. Slide the assembled housing into the bottom of the cylinder.
11. Push the pin (214) through the holes on one side. Lubricate and install o-rings (208) *from the inside*, putting one in each groove on the pin. Then slide the pin into the second side. The ends of the pin should be flush to the outside of the cylinder. Check that the o-rings are seated in the grooves.

Reconnect The Pump

1. If using bung adapter (Accessory Kit 24R650), install it in the drum cover.
2. Slide the displacement pump down into the drum.
3. Install a gasket (2) on the top of the displacement pump. Then install the connector (3) on the displacement pump, with the *smaller* side down. Install a clamp (5) hand tight.
4. Install the other gasket (2) on the air motor. Be sure it is securely on the alignment shoulder. Hook the air motor shaft on the displacement rod and lower the air motor into place. Install clamp (5) hand tight.

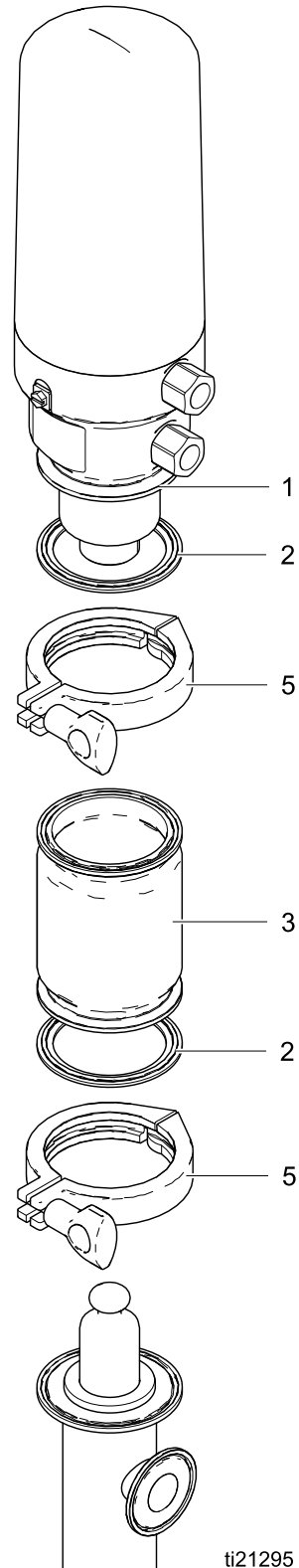
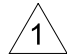
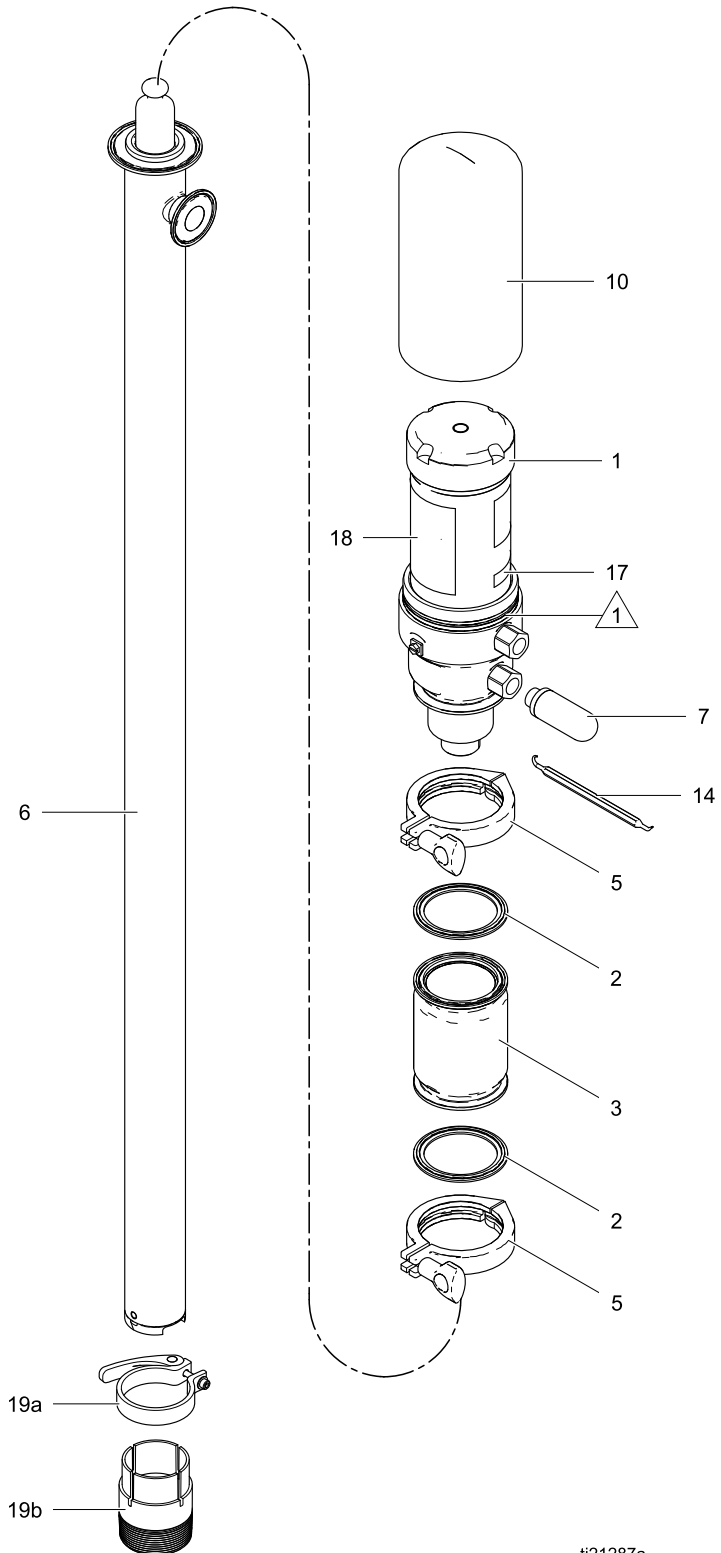


Figure 11

Parts

 Apply sanitary grease before assembling cover.



ti21287a

Complete Pump Models 810.0850, 810.0851, 810.0852, and 810.0853

Ref.	Part	Description	Qty.
1	819.0632*	MOTOR; 2.5:1, see Air Motor Parts .*	1
2	859.0455	GASKET, sanitary fitting	2
3	819.0674	CONNECTOR	1
5	819.0505	CLAMP, 2.5 in. tri-clamp	2
6		DISPLACEMENT PUMP; see Displacement Pump Parts .	1
	819.0642	Used on Pump Model 810.0850	
	819.0641	Used on Pump Model 810.0851	
	819.0644	Used on Pump Model 810.0852	
	819.0643	Used on Pump Model 810.0853	
7	819.0434	MUFFLER	1

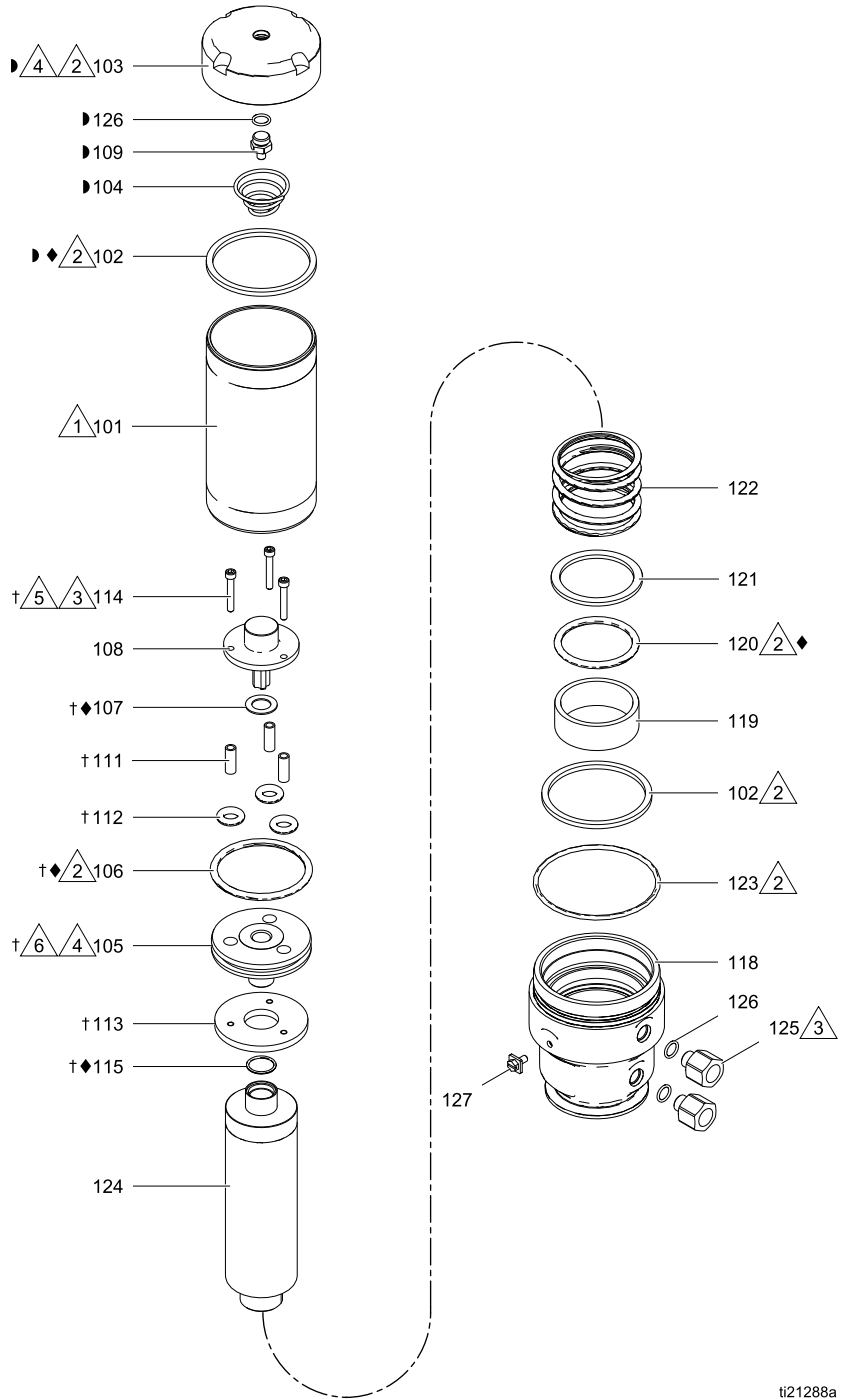
Ref.	Part	Description	Qty.
10	819.0630	COVER, motor; includes o-ring (ref. 123)	1
14	859.0456	TOOL, pick	1
17	— — —	LABEL, compliance	1
18▲	819.0703	LABEL, warning	1
19	819.0651	KIT, bung adapter, includes 19a and 19b	1
19a	— — —	Clamp	
19b	— — —	Bung adapter	

▲ Replacement Danger and Warning labels, tags, and cards are available at no cost.

* Air Motor 819.0632 does not include cover (ref. 10). Order Kit 819.0631 for an air motor with cover.

Air Motor 819.0632

- 1** Torque to 5.6 to 6.8 N•m (50 to 60 in-lb).
- 2** Apply sanitary lubricant.
- 3** Apply medium-strength thread locker.
- 4** Torque to 20.3 to 27.1 N•m (15 to 20 ft-lb).
- 5** Torque to 2.3 to 3.4 N•m (20 to 30 in-lb).
- 6** Apply pipe sealant.



ti21288a

Air Motor 819.0632 Parts

Ref.	Part	Description	Qty.
101	819.0672	CYLINDER, air motor	1
102◆	— — —	GASKET	2
103	— — —	CAP, air cylinder	1
104	— — —	SPRING, tapered	1
105†	— — —	HEAD, air piston	1
106◆†	— — —	O-RING, buna-N	1
107◆†	— — —	GASKET, upper	1
108†	— — —	CAP, valve	1
109	— — —	PIN, spring stop; included with ref. 103	1
111†	— — —	SPACER, disk	3
112†	— — —	O-RING, buna-N	3
113†	— — —	DISK, air piston	1
114†	— — —	SCREW, cap, socket head	3
115◆†	— — —	O-RING, FKM	1
118	819.0677	BASE, air motor	1
119	— — —	BUSHING, air motor; included with air piston assembly (ref. 124)	1

Ref.	Part	Description	Qty.
120◆	— — —	O-RING, buna-N	1
121	819.0678	RETAINER, o-ring, includes compression spring	1
123	859.0457	O-RING	1
124	819.0628	PISTON, air, assembly; includes Bushing (ref. 119) and o-ring (ref. 120)	1
125	819.0629	FITTING, inlet/outlet, stainless steel, 1/2-18 to 3/8-18 npt; includes o-ring (ref. 126)	2
126	— — —	O-RING; included with ref. 103	3
127	859.0458	SCREW, ground	1

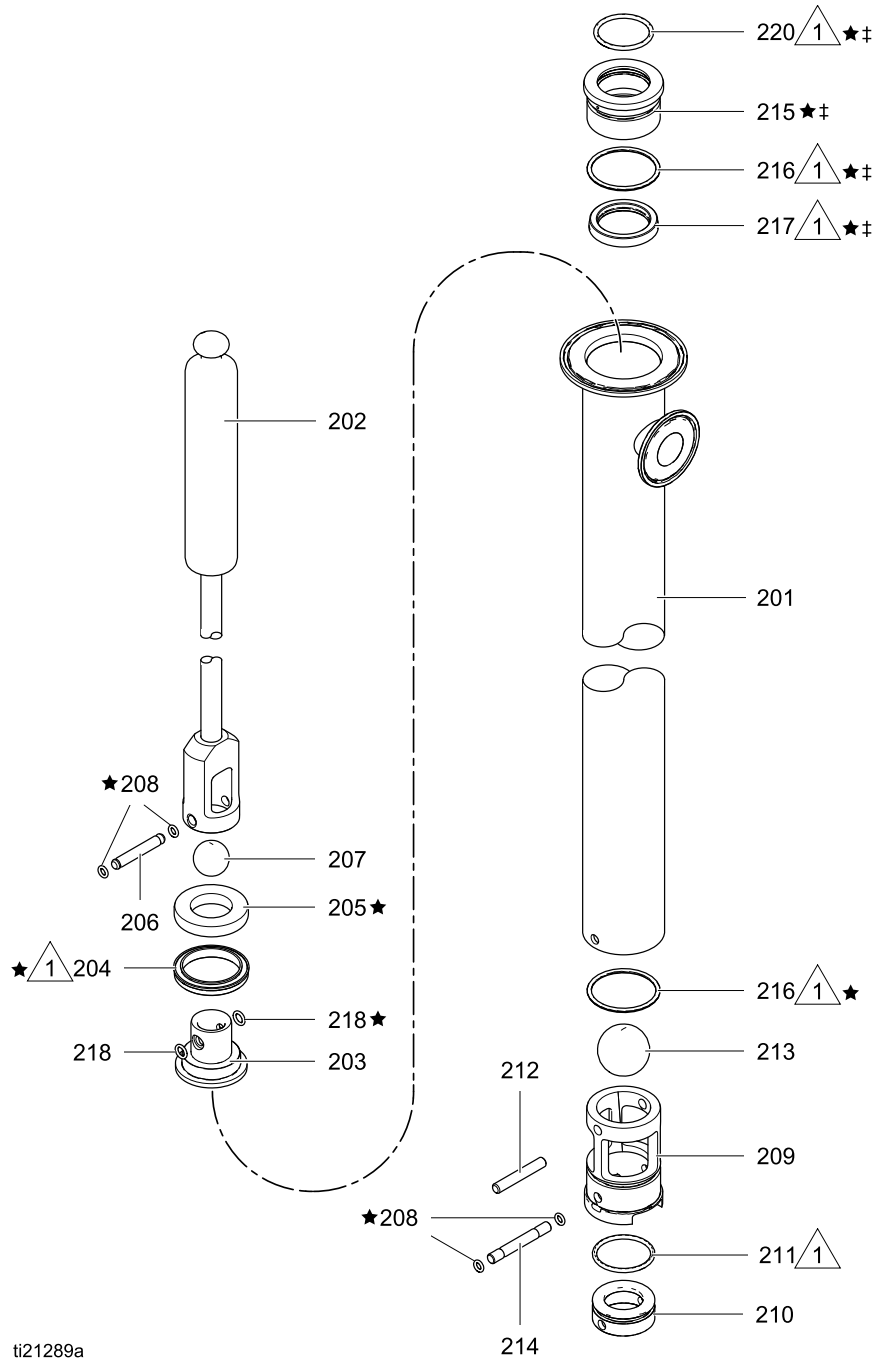
◆ Parts included in Air Motor Seal Kit 819.0627.

† Parts included in Air Valve Kit 819.0688.

◆ Parts included in Air Cylinder Cap Kit 819.0652.

Displacement Pump Models 819.0641, 819.0642, 819.0643, and 819.0644

1 Apply sanitary lubricant.



Displacement Pump Parts

Ref.	Part	Description	Qty.
201	819.0645 819.0646	CYLINDER, pump Models 819.0641 and 819.0642 Models 819.0643 and 819.0644	1
202	819.0680 819.0681	ROD, displacement Models 819.0641 and 819.0642 Models 819.0643 and 819.0644	1
203	819.0682	SEAT, outlet; sold with ball (ref. 207) in Kit 819.0633	1
204*	— — — — — — — —	U-CUP UHMWPE; Models 819.0642 and 819.0644 PTFE; Models 819.0641 and 819.0643	1
205*	— — — —	BEARING, piston check	1
206	819.0687	PIN, outlet check	1
207	819.0683	BALL, stainless steel; sold with seat (ref. 203) in Kit 819.0633.	1
208*	— — — —	O-RING, 008, FKM; included in Kits 819.0639, 819.0640, 819.0647 and 819.0648	10
209	819.0734	GUIDE, ball, inlet, 316 stainless steel	1
210	819.0685	SEAT, inlet; sold with ball (ref. 213) and o-ring (ref. 211) in Kit 819.0634	1

Ref.	Part	Description	Qty.
211*	— — — —	O-RING, 125, FKM; sold with seat (ref. 210) and ball (ref. 213) in Kit 819.0634	1
212	— — — —	PIN, dowel; order kit 819.0647	1
213	819.0686	BALL, bearing	1
214	— — — —	PIN, seat, inlet; order Kit 819.0647	1
215*✓	— — — —	CARTRIDGE, throat seal	1
216*✓	— — — —	O-RING, 129, FKM	2
217*✓	— — — — — — — — — — — —	U-CUP UHMWPE; Models 819.0642 and 819.0644 PTFE; Models 819.0641 and 819.0643	1
218*	— — — —	O-RING, FKM, #10; included in Kits 819.0639, 819.0640, 819.0647 and 819.0648	2
220*✓	— — — — — — — — — — — —	O-RING FKM; Models 819.0642 and 819.0644 PTFE; Models 819.0641 and 819.0643	1

* Parts included in Pump Seals Kits 819.0639 (UHMWPE) and 819.0640 (PTFE).

✓ Parts included in Throat Seal Kits 819.0637 (UHMWPE) and 819.0638 (PTFE).

Kits and Accessories

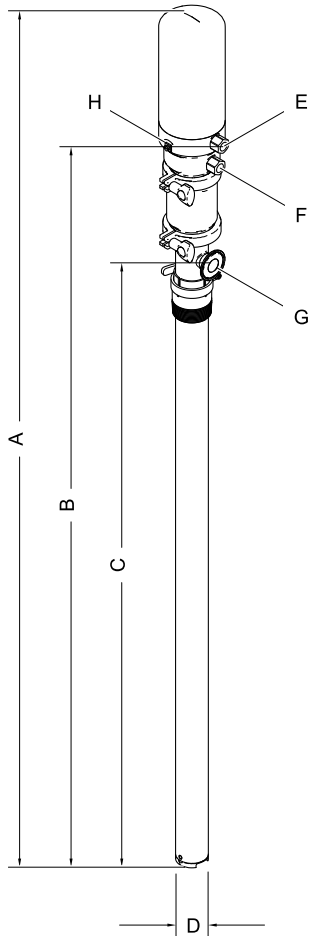
Replacement Parts Kits

Kit	Includes
◆ 819.0627, Air Motor Seals	Gasket (102), o-rings (106, 115, 120), and upper gasket (107)
† 819.0688, Air Valve Kit	Piston head (105), upper gasket (107), valve cap (108), spacer (111), piston disk (113), screws (114), and o-rings (106, 112, 115)
* 819.0639, UHMWPE Pump Seals Kit OR 819.0640, PTFE Pump Seals Kit	Piston check bearing (205), u-cup cartridge (215), u-cups (214, 217), and o-rings (208, 211, 216, 218, 220)
✓ 819.0637, UHMWPE Throat Seal Kit OR 819.0638, PTFE Throat Seal Kit	U-cup cartridge (215), u-cup (217), and o-rings (216, 220)
▶ 819.0652, Air Cylinder Cap Kit	Cap (103), gasket (102), spring (104), pin (109), and o-ring (126)
819.0628, Air Motor Piston Kit	Piston with cap and o-ring (124, factory assembled), bushing (119) and o-ring (120)
819.0629, Air Inlet/Outlet Fitting Kit	Inlet/outlet fitting (125) and o-ring (126)
819.0630, Air Motor Cover Kit	Cover (10) and o-ring (123)
819.0631, Air Motor with Cover Kit	Air motor 24R180 (1) and cover (10)
819.0633, Outlet Check	Seat (203) and ball (207)
819.0634, Inlet Check	Seat (210), ball (213), and o-ring (211)
819.0735, Inlet Ball Guide	Guide (209) and o-ring (216)
819.0647, Retainer Pins	Inlet pin (214), piston pin (206) and o-rings (208, 218)
819.0648, Retainer Pin O-rings	O-ring (208, qty. 20) and o-ring (218, qty. 10)

Accessory Kits

Kit	Description
819.0649, Exhaust Hose	3/8 npt, 200 psi, FDA-Compliant hose, 6 ft.
819.0650, ISO/DIN Adapter	25 mm (1 in) tri-clamp to 25 mm threaded DIN 11851, with o-ring

Dimensions

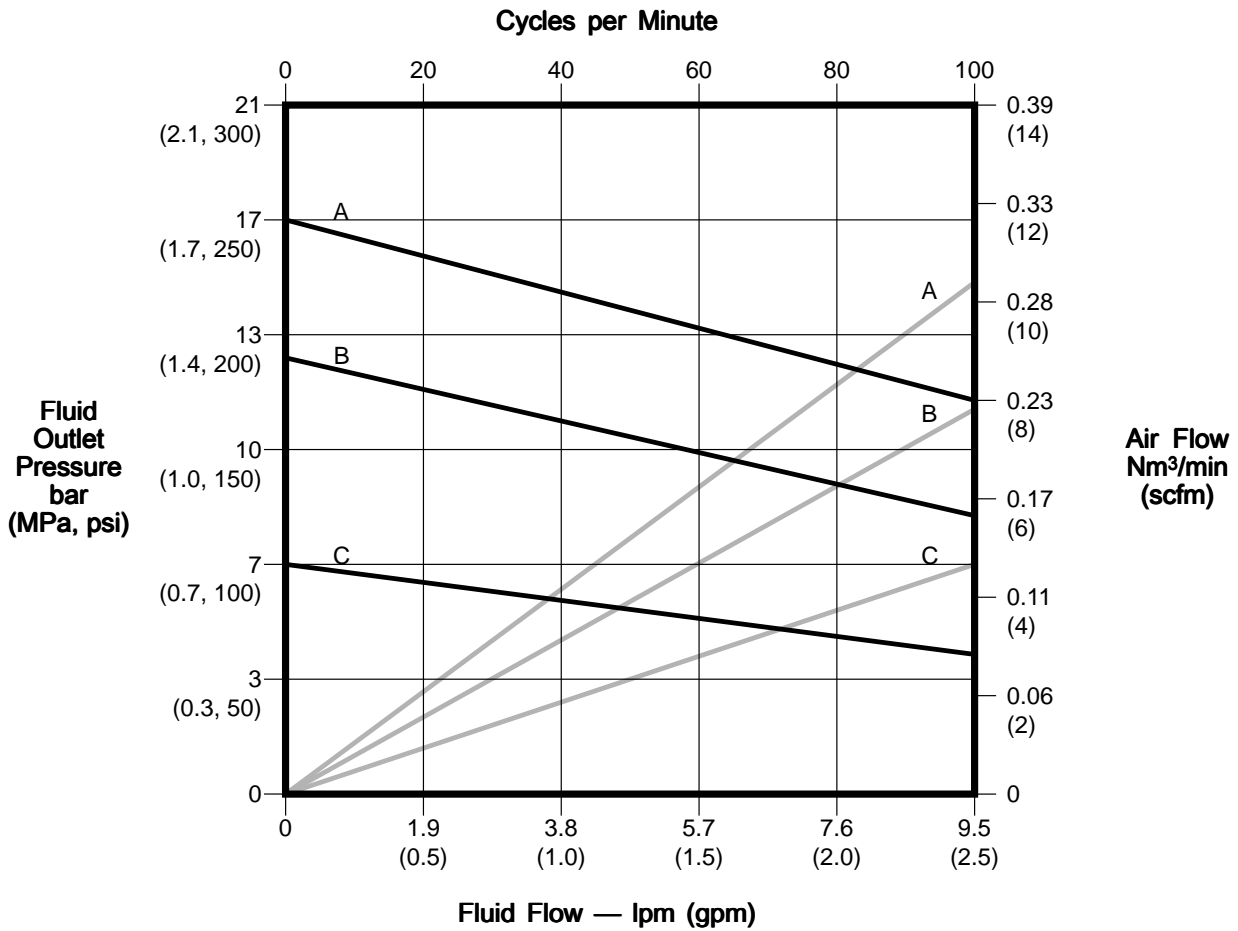


ti19925a

Reference	Model 810.0850 and 810.0851		Model 810.0852 and 810.0853	
	in.	mm	in.	mm
A	61.9	1572	54.9	1394
B	53.7	1364	46.7	1186
C	44.5	1130	37.5	952
D (fluid inlet OD)	1.972	50	1.972	50
E (air inlet)	3/8 npt (f)	9.5 npt (f)	3/8 npt (f)	9.5 npt (f)
F (air exhaust)	3/8 npt (m)	9.5 npt (m)	3/8 npt (m)	9.5 npt (m)
G (fluid outlet, tri-clamp)	1	25.4	1	25.4
H (ground screw)				

Performance Chart

Test Conditions: Pump tested in water.



KEY:

- A 7 bar (0.7 MPa, 100 psi) Inlet Air Pressure
- B 5 bar (0.5 MPa, 70 psi) Inlet Air Pressure
- C 3 bar (0.3 MPa, 40 psi) Inlet Air Pressure
- Air Consumption
- Fluid Flow

Technical Data

	U.S.	Metric
Maximum Fluid Working Pressure	250 psi	17 bar, 1.7 MPa
Air Inlet Pressure Range	30 to 100 psi	2.1 to 6.9 bar, 0.2 to 0.7 MPa
Maximum Recommended Pump Speed	100 cycles/min, 2.5 gpm delivery	100 cycles/min, 9.5 liters/min delivery
Pump Cycles per Gallon (3.8 Liters)	40	
Ratio	2.5:1	
Fluid Temperature Range	40 to 220°F	4 to 104°C
Maximum Continuous Operating Temperature	180°F	82°C
Maximum Ambient Temperature (Air Motor)	120°F	49°C
Air Inlet	3/8 npt (f)	9.5 mm npt (f)
Air Exhaust	3/8 npt (m)	9.5 mm npt (m)
Fluid Inlet Size		
Cylinder OD	2.0 in	50.8 mm
Inlet Seat ID	0.938 in	23.8 mm
Fluid Outlet	1 in. tri-clamp	25.4 mm tri-clamp
Sound Power*	73.4 at dBA at 70 psi and 20 cpm	73.4 dBA at 4.8 bar and 20 cpm
Sound Pressure*	65.4 at dBA at 70 psi and 20 cpm	65.4 dBA at 4.8 bar and 20 cpm
Weight		
Models 810.0852 and 810.0853	24 lb	10.9 kg
Models 810.0850 and 810.0851	26 lb	11.8 kg
Wetted Parts	300 Series Stainless Steel, Acetal, PTFE, FKM, UHMWPE	

* Sound power measured per ISO-9614-2. Sound pressure was tested 3.28 ft (1 m) from equipment.

Customer Services/Guarantee

CUSTOMER SERVICES

If you require spare parts, please contact your local distributor, providing the following details:

- Pump Model
- Type
- Serial Number, and
- Date of First Order.

GUARANTEE

All VERDER pumps are warranted to the original user against defects in workmanship or materials under normal use (rental use excluded) for two years after purchase date. This warranty does not cover failure of parts or components due to normal wear, damage or failure which in the judgement of VERDER arises from misuse.

Parts determined by VERDER to be defective in material or workmanship will be repaired or replaced.

LIMITATION OF LIABILITY

To the extent allowable under applicable law, VERDER's liability for consequential damages is expressly disclaimed. VERDER's liability in all events is limited and shall not exceed the purchase price.

WARRANTY DISCLAIMER

VERDER has made an effort to illustrate and describe the products in the enclosed brochure accurately; however, such illustrations and descriptions are for the sole purpose of identification and do not express or imply a warranty that the products are merchantable, or fit for a particular purpose, or that the products will necessarily conform to the illustration or descriptions.

PRODUCT SUITABILITY

Many regions, states and localities have codes and regulations governing the sale, construction, installation and/or use of products for certain purposes, which may vary from those in neighboring areas. While VERDER attempts to assure that its products comply with such codes, it cannot guarantee compliance, and cannot be responsible for how the product is installed or used. Before purchasing and using a product, please review the product application as well as the national and local codes and regulations, and be sure that product, installation, and use complies with them.

Original instructions. This manual contains English.

Revision L, January 2020

Austria

Verder Austria
Eitnergasse 21/Top 8
A-1230 Wien
AUSTRIA
Tel: +43 1 86 51 074 0
Fax: +43 1 86 51 076
e-mail: office@verder.at

Belgium

Verder nv
Kontichsesteenweg 17
B-2630 Aartselaar
BELGIUM
Tel: +32 3 877 11 12
Fax: +32 3 877 05 75
e-mail: info@verder.be

China

Verder Shanghai Instruments and Equipment Co., Ltd
Building 8 Fuhai Business Park No. 299
Bisheng Road, Zhangjiang Hiteck Park
Shanghai 201204
CHINA
Tel: +86 21 33932950
Fax: +86 21 33932955
e-mail: info@verder.cn

Bulgaria

Verder Bulgaria Ltd
Vitosh department,
Manastriski Livadi Zapad
district,
110 Bulgaria Blvd., 2-nd
Floor, apt. 15-16,
1618 - Sofia
BULGARIA
Tel: 0878407370
Fax: 02 9584085
email: office@verder.bg

Czech Republic

Verder s.r.o.
Vodnanská 651/6 (vchod
Chlumecka 15)
198 00 Praha 9-Kyje
CZECH REPUBLIC
Tel: +420 261 225 386-7
Web: <http://www.verder.cz>
e-mail: info@verder.cz

France

Verder France
8 Allée Rosa Luxembourg
Immeulde Arizona
95610 Eragny sur Oise
FRANCE
Tel: +33 173 43 98 41
Fax: +33 134 64 44 50
e-mail: info@verder.fr

Germany

Verder Deutschland GmbH
Retsch-Allee 1-5
42781 Haan
GERMANY
Tel: 02104/2333-200
Fax: 02104/2333-299
e-mail: info@verder.de

Hungary

Verder Hungary Kft
Budafoke ut 187 - 189
HU-1117 Budapest
HUNGARY
Tel: 0036 1 3651140
Fax: 0036 1 3725232
e-mail: info@verder.hu

India

Verder India Pumps Pvt
Ltd.
Plot No-3B, D-1 Block,
MIDC Chinchwad,
Pune - 411019
INDIA
e-mail:
Sales@verder.co.in
www.verder.co.in

Italy

Verder Italia
Via Maestri Del lavoro, 5
02100 Vazia, Rieti
ITALY
Tel: +39 07 46 229064
e-mail: info@verder.it

The Netherlands

Verder BV
Leningradweg 5
NL 9723 TP Groningen
THE NETHERLANDS
Tel: +31 50 549 59 00
Fax: +31 50 549 59 01
e-mail: info@verder.nl

Poland

Verder Polska
ul.Porcelanowa 23
PL-40 036 Katowice
POLAND
Tel: +48 32 78 15 032
Fax: +48 32 78 15 034
e-mail: verder@verder.pl

Romania

Verder România
Drumul Balta Doamnei
no 57-61
Sector 3
CP 72-117
032624 Bucuresti
ROMANIA
Tel: +40 21 335 45 92
Fax: +40 21 337 33 92
e-mail: office@verder.ro

Slovak Republik

Verder Slovakia s.r.o.
Silacska 1
SK-831 02 Bratislava
SLOVAK REPUBLIK
Tel: +421 2 4463 07 88
Fax: +421 2 4445 65 78
e-mail: info@verder.sk

South Africa

Verder SA
197 Flaming Rock Avenue
Northlands Business Park
Newmarket Street
ZA Northriding
SOUTH AFRICA
Tel: +27 11 704 7500
Fax: +27 11 704 7515
e-mail: info@verder.co.za

Switzerland

Verder Deutschland GmbH
Sales Switzerland
Retsch-Allee 1-5
D-42781 Haan
GERMANY
Tel: +41 (0)61 331 33 13
Fax: +41 (0)61 331 63 22
e-mail: info@verder.ch

United Kingdom

Verder UK Ltd.
Unit 3 California Drive
Castleford, WF10 5QH
UNITED KINGDOM
Tel: +44 (0) 1924 221 001
Fax: +44 (0) 1132 465 649
e-mail: info@verder.co.uk

United States of America

Verder Inc.
312 Corporate Parkway
Suite 101
Macon, GA 31210
USA
Tel: +1 877 783 7337
Fax: +1 478 476 9867
e-mail: sales@verder-us.com