

Q155 Series Medium Pressure

API 674

Maximum Flow Rate: 295 l/min (78 gpm)
Maximum Pressure: 241 bar (3500 psi)



WANNER
Hydra-Cell[®]
Seal-less Pump Technology



Available
to Meet
API 674

- Seal-less design eliminates leaks, hazards and the expense associated with seals and packing
- Low NPSH requirements allow for operation with a vacuum condition on the suction - positive suction pressure is not necessary
- Can operate with a closed or blocked suction line and run dry indefinitely without damage, eliminating downtime and repair costs
- Unique diaphragm design handles more abrasives with less wear than gear, screw or plunger pumps
- Hydraulically balanced diaphragms to handle high pressures with low stress
- Lower energy costs than centrifugal pumps
- Rugged construction for long life with minimal maintenance
- Compact design and double-ended shaft provide a variety of installation options

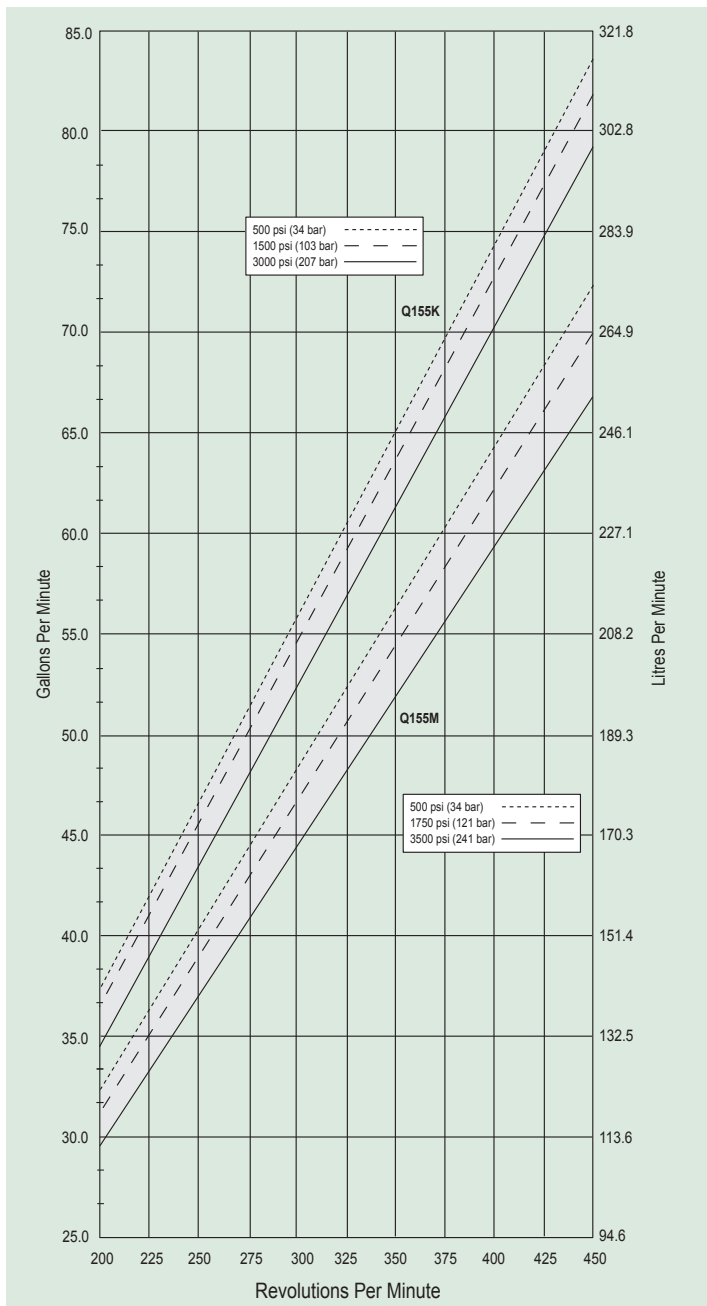
Q155 Medium Pressure Performance

Capacities

Flow				Pressure	
Model	Max. Input rpm	Maximum Flow gpm	Maximum Flow l/min	Maximum Inlet Pressure	
Q155K	450	78	295	500 psi (34 bar)	
Q155M	450	67	253	Maximum Discharge Pressure	
				Q155K	3000 psi (207 bar)
				Q155M	3500 psi (241 bar)

Consult factory when operating below 200 rpm.

Maximum Flow at Designated Pressure



Note: Each pump complies with item 6.8.2 of API 674 across the full performance range.

Q155 Medium Pressure Specifications

Flow Capacities

	Pressure psi (bar)	rpm	gpm	l/min
Q155K	3000 (207)	450	78.0	295.3
Q155M	3500 (241)	450	66.8	252.9

Delivery

	Pressure psi (bar)	gal/rev	liters/rev
Q155K	500 (34)	0.185	0.700
	1500 (103)	0.181	0.685
	3000 (207)	0.173	0.654
Q155M	500 (34)	0.201	0.760
	1750 (121)	0.197	0.747
	3500 (241)	0.193	0.731

rpm

Maximum:	450
Minimum:	200 (Consult factory for speeds less than 200 rpm)

Maximum Discharge Pressure

Metallic Heads:	Q155K	3000 psi (207 bar)
	Q155M	3500 psi (241 bar)

Maximum Inlet Pressure 500 psi (34 bar)

Liquid Operating Temperature

Maximum:	180 °F (82.2 °C)
Minimum:	40 °F (4.4 °C)

Consult factory for temperatures outside this range

Maximum Solids Size 800 microns

Input Shaft Left or Right Side

Inlet Ports Weld-On: 4" / SCH. 40 4" NPT

Discharge Ports Weld-On: 2" / SCH. 160 2" NPT

Shaft Diameter 3 inch (76.2 mm)

Shaft Rotation Uni-directional (see rotation arrows)

Oil Capacity 32 US quarts (30.3 litres) 10W30 standard-duty oil

Weight

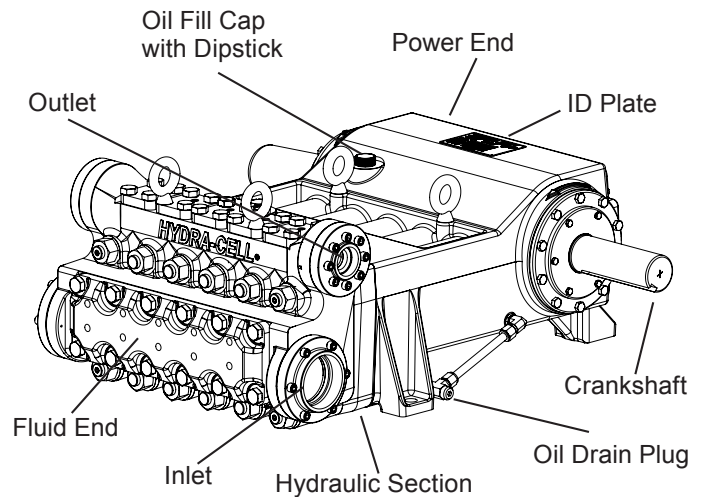
Metallic Heads:	1700 lbs. (771 kg)
-----------------	--------------------

Fluid End Materials

Manifold:	Nickel Aluminum Bronze (NAB)
	316 Stainless Steel
Diaphragm/Elastomers:	FKM
	Buna-N
Diaphragm Follower Screw:	316 Stainless Steel
Valve Spring Retainer:	17-7 PH Stainless Steel
	Polypropylene
	PVDF
	316 SST
	Hastelloy C
Check Valve Spring:	Elgiloy
Valve Disc/Seat:	Tungsten Carbide
	17-4 Stainless Steel
	Hastelloy C
Outlet Valve Retainer:	316 Stainless Steel
Plug-Outlet Valve Port:	316 Stainless Steel
Inlet Valve Retainer:	316 Stainless Steel

Power End Materials

Crankshaft:	Forged Q&T Alloy Steel
Connecting Rods:	Ductile Iron
Crossheads:	12L14 Steel
Crankcase:	Ductile Iron
Bearings:	Spherical Roller/Journal (outer mains)
	Steel Backed Babbitt (crankpin)
	Bronze (wrist pin, center mains)



Calculating Required Horsepower (kW)*

$$\frac{\text{gpm} \times \text{psi}}{1,460} = \text{electric motor hp}^*$$

$$\frac{\text{lpm} \times \text{bar}}{511} = \text{electric motor kW}^*$$

* hp (kW) is required application power.

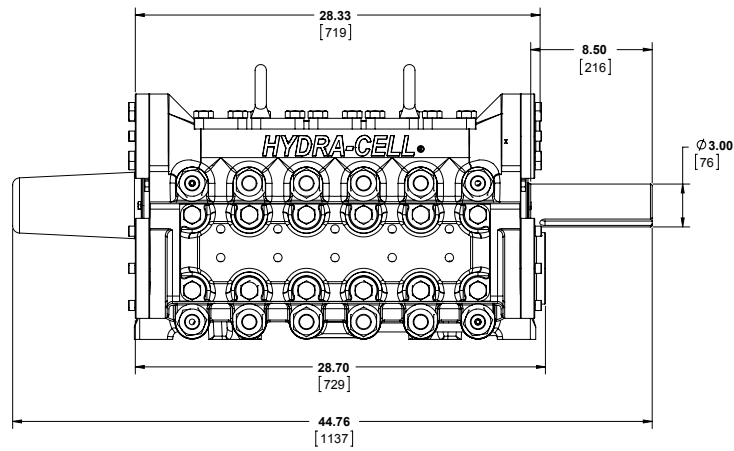
Attention!

When sizing motors with variable speed drives (VFD): It is very important to select a motor and a VFD rated for constant torque inverter duty service and that the motor is rated to meet the torque requirements of the pump throughout desired speed range.

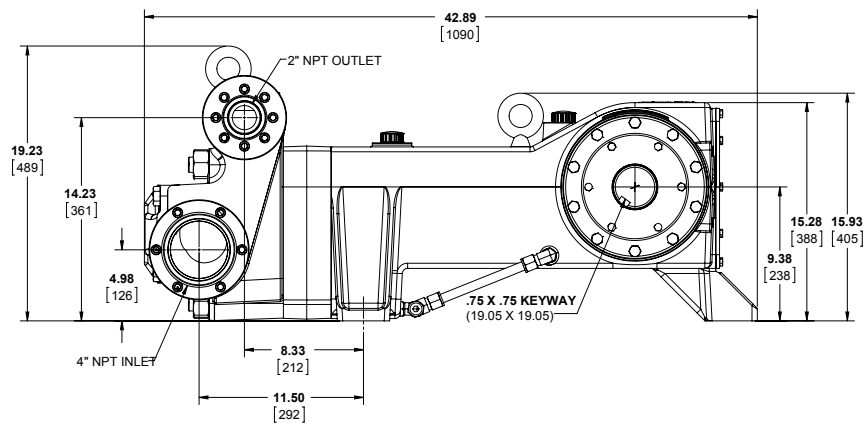
Q155 Medium Pressure Dimensions

Threaded Version Inches (mm)

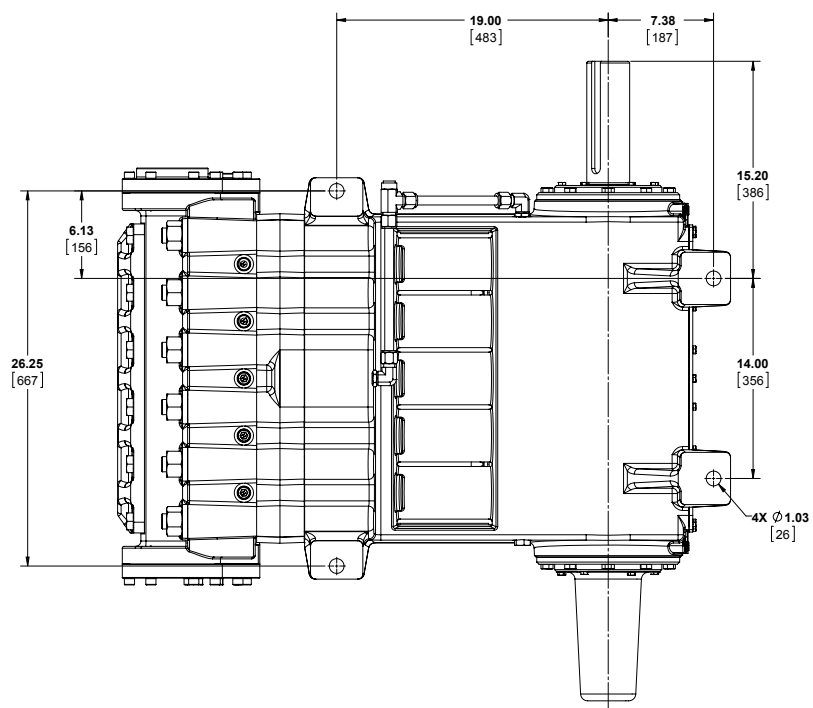
Front View



Side View



Bottom View



Q155 Medium Pressure **How to Order**

Ordering Information

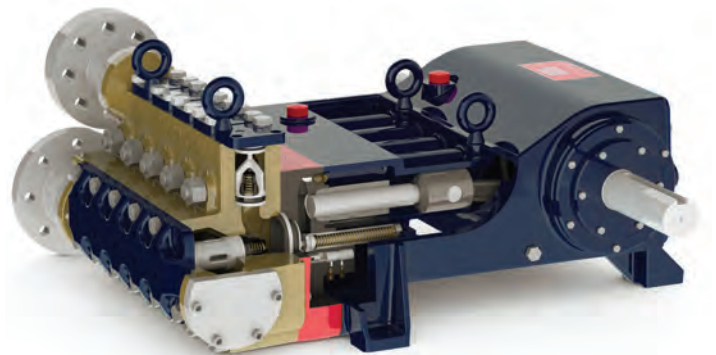


A complete Q155 Series Medium Pressure Model contains 13 digits including 7 customer-specified design and materials options, for example: (TBP)

Medium Pressure

Digit	Order Code	Description
1-4	Q155	Pump Configuration Shaft-driven
5	K M	Performance Max. 295 l/min (78 gpm) @ 207 bar (3000 psi) Max. 253 l/min (67 gpm) @ 241 bar (3500 psi)
6	A R	Pump Head Version NPT Threaded Ports (NAB only) ANSI Flange Ports
7	D S	Pump Head Material Nickel Aluminum Bronze (NAB) 316 Stainless Steel
8	G T	Diaphragm & O-ring Material FKM Buna-N
9	D H T	Valve Seat Material Tungsten Carbide 17-4 Stainless Steel Hastelloy C
10	D F T	Valve Material Tungsten Carbide 17-4 Stainless Steel Hastelloy C
11	E	Valve Springs Elgiloy
12	H M P S T	Valve Spring Retainers 17-7 PH Stainless Steel Polypropylene PVDF 316 SST Hastelloy C
13	A	Hydra-Oil 10W30 standard-duty oil

*Tungsten Carbide valve seat and disc are a matched set and must be purchased together.





WANNER
Hydra-Cell[®]
Partners in over 70 Countries

WANNER ENGINEERING - WORLD HEADQUARTERS & MANUFACTURING
Minneapolis USA
t: (612) 332-5681
e: sales@wannereng.com

WANNER PUMPS
Kowloon HONG KONG
t: +852 3428 6534
e: sales@wannerpumps.com

WANNER INTERNATIONAL
Hampshire UK
t: +44 (0) 1252 816847
e: sales@wannerint.com

WANNER ENGINEERING
Latin American Office
t: +55 (11) 4081-7098
e: sales@wannereng.com

WANNER PUMPS
Shanghai CHINA
t: +86-21-6876 3700
e: sales@wannerpumps.com