

VERDERGEAR Process made by Liquiflo Gear pump H12F

Description

Verdergear gear pumps are perfectly suitable for heavy-duty applications when pumping dangerous or expansive chemicals. They create a pulsation-free flow without any leakage. The Verdergear Process series contains several pump sizes for a wide flow range up to 220 l/min and pressures up to 15 bar.

The H-Series incorporates larger diameter shafts and bearings, allowing them to handle higher pressures with extended service life. The H-Series pumps are available in 316 Stainless Steel or Alloy-C construction, Sealed and Mag-drive versions. All pumps can be equipped with different kinds of drives.



Advantages

- Pulsation free flow
- Highly reliable
- High dosing accuracy
- Corrosion-resistant materials
- Self-priming
- Very user-friendly

Application areas

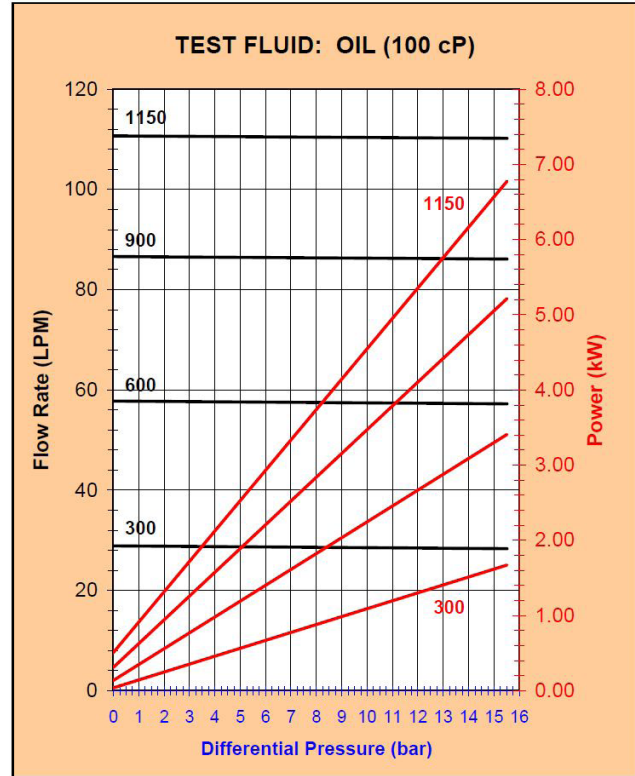
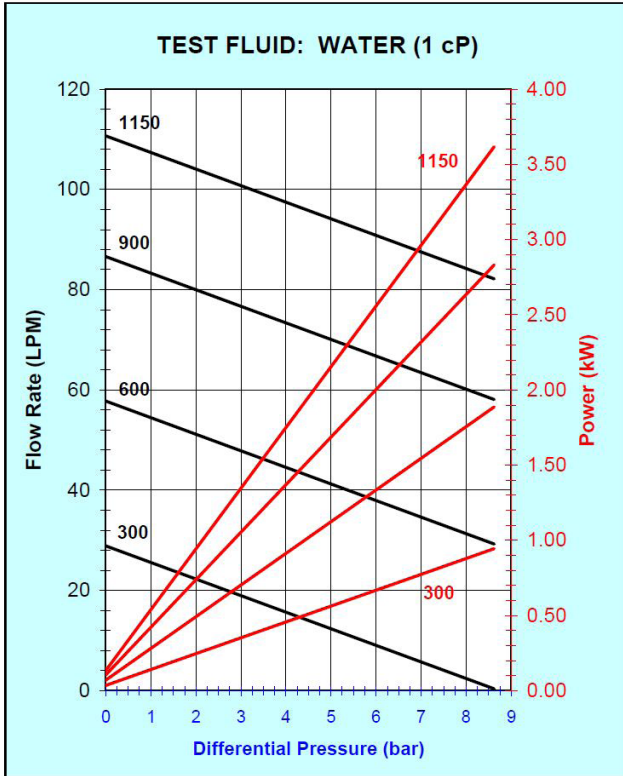
- Construction industry
- Chemical industry
- Research & Development
- Food industry
- Paper industry
- Textile industry
- Environmental technology

Technical data

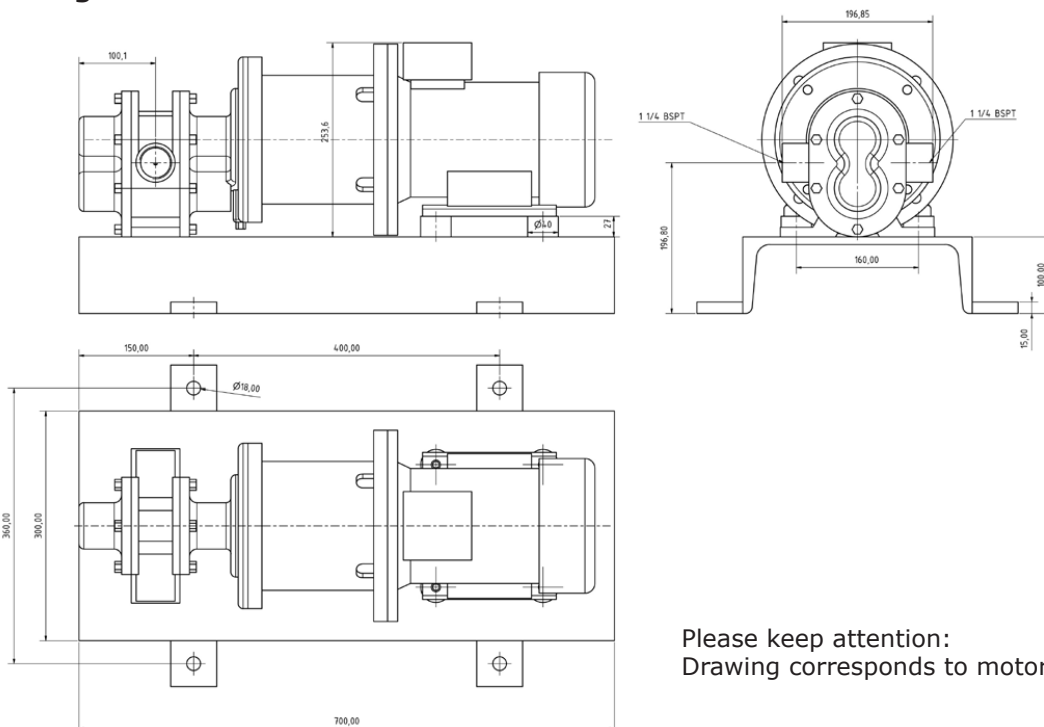
Max. flow range	110 l/min
Connections	1 1/4" BSPT oder 1 1/2" Flansch
Max. differential pressure	15,5 bar
Max. system pressure	18,6 bar
Temperature range	-40 to +260 °C
Max. viscosity	100.000 mPas
Suction height	5,2 m
Weight (sealed)	35 kg
Weight (magnetic coupled)	43 kg

VERDERGEAR Process made by Liquiflo Gear pump H12F

Flow curve



Drawing



Please keep attention:
Drawing corresponds to motor size 112.