

VERDERGEAR Process made by Liquiflo Gear pump H7F

Description

Verdergear gear pumps are perfectly suitable for heavy-duty applications when pumping dangerous or expansive chemicals. They create a pulsation-free flow without any leakage. The Verdergear Process series contains several pump sizes for a wide flow range up to 220 l/min and pressures up to 15 bar.

The H-Series incorporates larger diameter shafts and bearings, allowing them to handle higher pressures with extended service life. The H-Series pumps are available in 316 Stainless Steel or Alloy-C construction, Sealed and Mag-drive versions. All pumps can be equipped with different kinds of drives.



Advantages

- Pulsation free flow
- Highly reliable
- High dosing accuracy
- Corrosion-resistant materials
- Self-priming
- Very user-friendly

Application areas

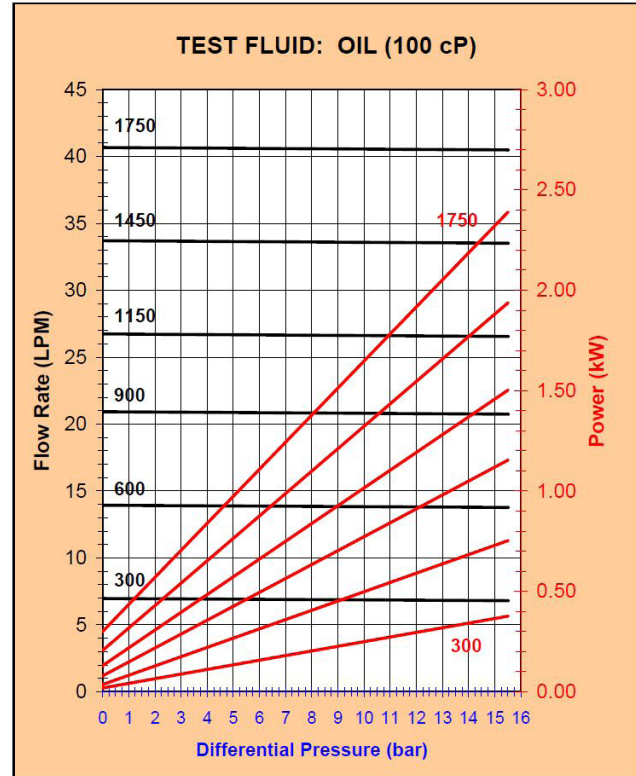
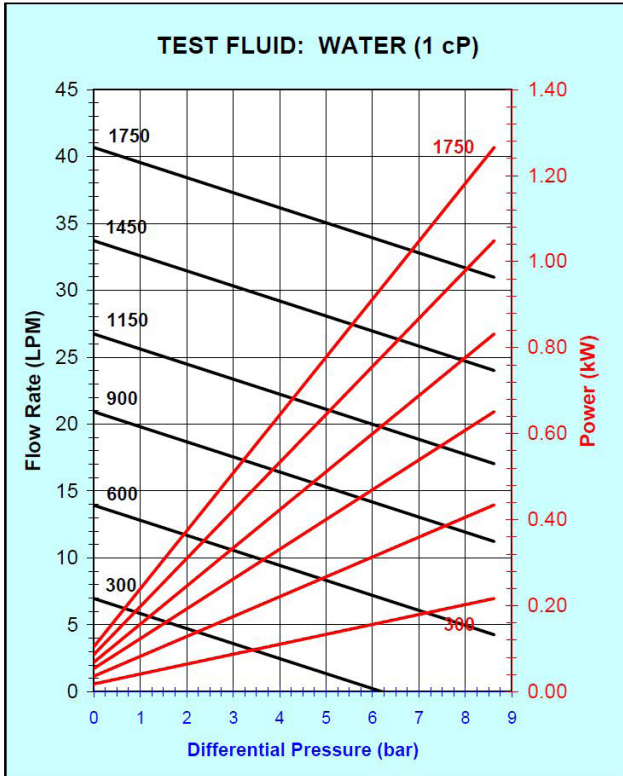
- Construction industry
- Chemical industry
- Research & Development
- Food industry
- Paper industry
- Textile industry
- Environmental technology

Technical data

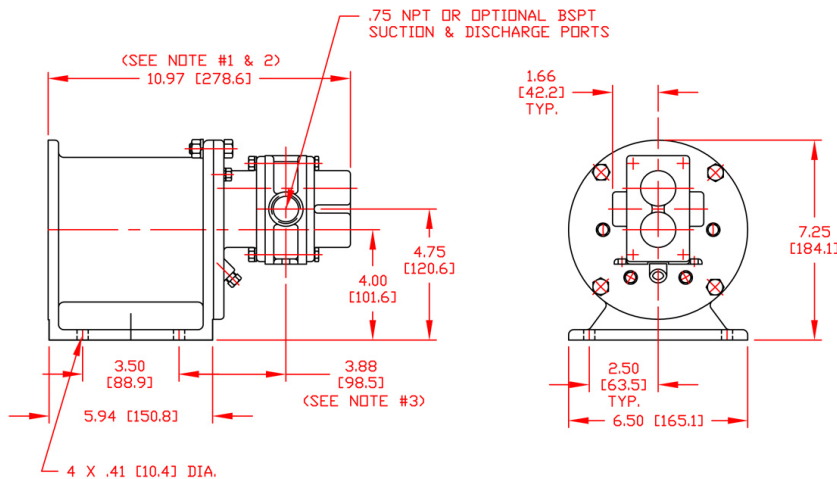
Max. flow range	40,5 l/min
Connections	3/4 " BSPT oder Flansch
Max. differential pressure	15,5 bar
Max. system pressure	15,5 bar
Temperature range	-40 to +260 °C
Max. viscosity	100.000 mPas
Suction height	2,1 m
Weight (sealed)	13 kg
Weight (magnetic coupled)	16 kg

VERDERGEAR Process made by Liquiflo Gear pump H7F

Flow curve



Drawing



NOTES:

- 1) ADD .31 [7.9] FOR BEARING FLUSH PLUGS.
- 2) FOR 37R & H7R/H7N PUMPS, SUBTRACT .25 [6.4].
- 3) FOR 37R & H7R/H7N PUMPS, SUBTRACT .13 [3.3].

