

VERDERGEAR

VGS 060, 230V



Description

Verdergear gear pumps are ideally suited for the precise and repeatable pumping of hazardous liquids or expensive chemicals. They operate pulsation-free and due to the magnetic coupling they are absolutely leakage-free.

This pump is equipped with a 230 V (1 phase) AC motor and has a frequency converter incl. potentiometer as well as an internally wired forced cooling fan. A speed range of 50-5000 rpm is adjustable.

The frequency inverter is configured via an integrated adjustment module with digital display.

Control is via potentiometer or interfaces such as 0-10 V, 4-20 mA or RS485. As an option, common interfaces such as Profi Bus, CANopen, EtherCAT, Mod Bus RTU or sercos are of course also available.

Your Benefits

- Very reliable, pulsation-free pumping
- High dosing accuracy
- Corrosion resistant materials
- Very service-friendly
- Large adjustment range
- No external frequency converter required
- One motor for different pump heads

Technical details

| | | | |
|----------------------------|------------------|----------------|----------------|
| Max. flow | 60 l/h @3000 rpm | Viscosity* | 1-2000 cPs |
| Max. differential pressure | 17 bar | Connections** | 1/8" NPT |
| Max. system pressure | 34 bar | Noise level | < 70 dB (A) |
| Speed | 50-5.000 rpm | Temperature*** | -46 to +176 °C |

*Higher viscosities possible on request

**Optional 1/4" NPT

***Gear trim from 60 °C

Materials

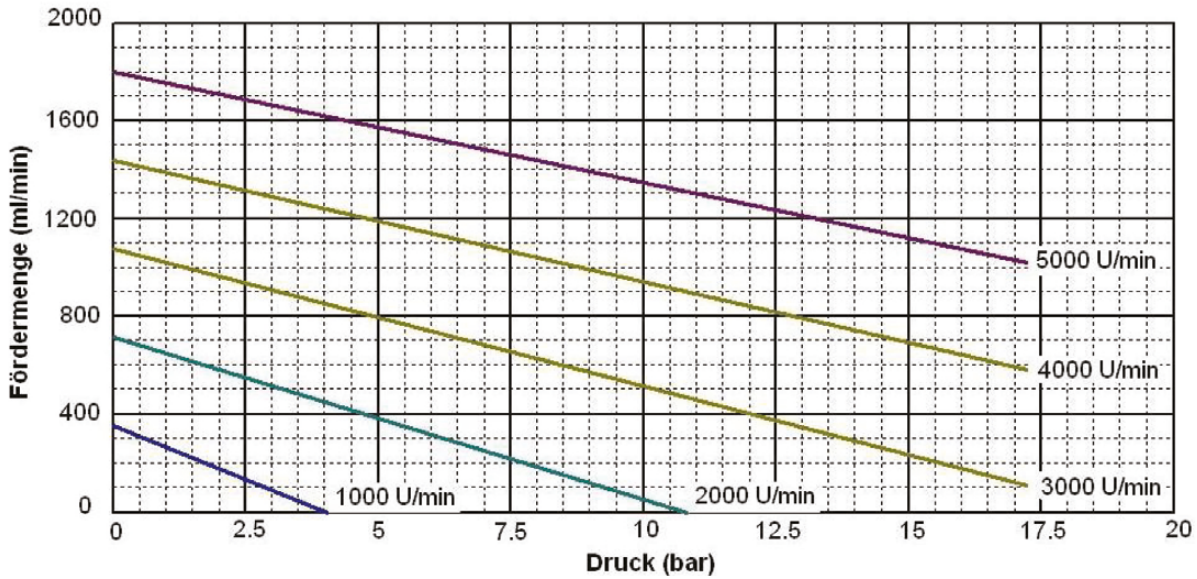
| Description | Material | Optional |
|-------------|---------------------|------------------|
| O-ring | PTFE | Viton |
| Gears | PEEK | PPS |
| Casing | Stainless steel 316 | Hastelloy, Titan |



VERDERGEAR

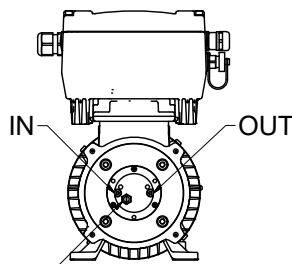
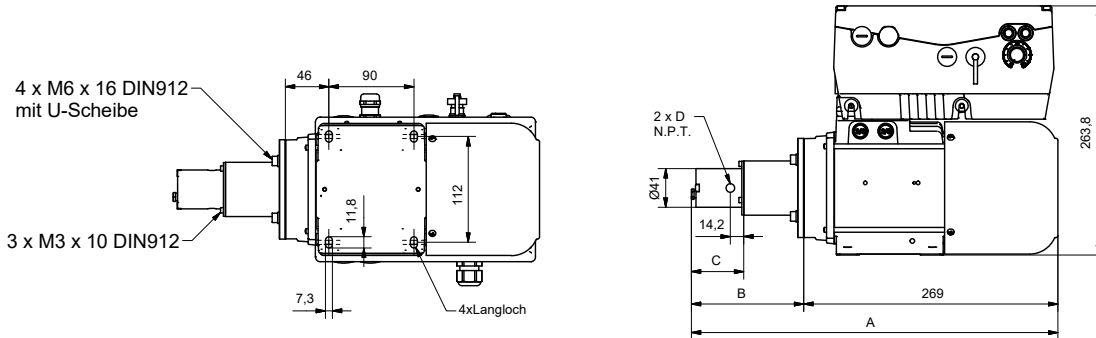
VGS 060, 230V

Performance curve



The performance curves shown apply to:
 1 bar suction pressure; 20 °C medium temperature; 1 cPs medium viscosity; by-pass valve completely closed.

Dimensions



| A | B | C | D |
|----------|----------|---------|------|
| 388,2 mm | 119,2 mm | 55,7 mm | 1/8" |

All dimensions in mm (dimensions are for guidance only)

Find your local supplier at
www.verderliquids.com

VERDER
 passion for pumps

